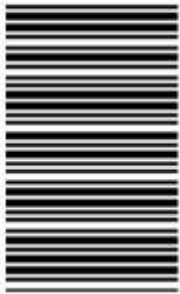


112

A



112A

نام:
نام خانوادگی:
محل امضا:



جمهوری اسلامی ایران
وزارت علوم، تحقیقات و فناوری
سازمان سنجش آموزش کشور

«اگر دانشگاه اصلاح شود مملکت اصلاح می‌شود.»
امام خمینی (ره)

دفترچه شماره (۱)
صبح پنج‌شنبه
۹۵/۰۲/۱۶

آزمون ورودی دوره‌های کارشناسی ارشد ناپیوسته داخل - سال ۱۳۹۵

مجموعه مهندسی برق - کد ۱۲۵۱

مدت پاسخگویی: ۱۰۵ دقیقه

تعداد سؤال: ۵۴

عنوان مواد امتحانی، تعداد و شماره سؤالات

| ردیف | مواد امتحانی | تعداد سؤال | از شماره | تا شماره |
|------|--|------------|----------|----------|
| ۱ | زبان عمومی و تخصصی (انگلیسی) | ۳۰ | ۱ | ۳۰ |
| ۲ | ریاضیات (معادلات دیفرانسیل، ریاضیات مهندسی، آمار و احتمالات) | ۱۲ | ۳۱ | ۴۲ |
| ۳ | مدارهای الکتریکی ۱ و ۲ | ۱۲ | ۴۳ | ۵۴ |

این آزمون نمره منفی دارد.
استفاده از ماشین حساب مجاز نیست.

حق چاپ، تکثیر و انتشار سؤالات به هر روش (الکترونیکی و ...) پس از برگزاری آزمون، برای تمامی اشخاص حقیقی و حقوقی تنها با مجوز این سازمان مجاز می‌باشد و با متخلفین برابر مقررات رفتار می‌شود.

PART A: Vocabulary

Directions: Choose the word or phrase (1), (2), (3), or (4) that best completes the blank. Then mark the correct choice on your answer sheet.

- 1- In spite of the considerable effort -----, many questions still remain unanswered, thus justifying continuous research in this field of inquiry.
1) taken 2) wasted 3) invested 4) intended
- 2- The fact that "innovation" is frequently alluded to not only ----- the importance of the topic but also generates much confusion, because its meaning depends strongly on the context in which it is used.
1) highlights 2) circumvents 3) alleges 4) cites
- 3- He was stopped by the police for transgressing the law; he had actually been driving faster than the speed -----.
1) calculation 2) permit 3) monitoring 4) limit
- 4- I thought he was really hurt and became worried but later I realized that he was just ----- it.
1) emerging 2) faking 3) revealing 4) deserving
- 5- Irene's arguments in favor of his client's innocence were so ----- that no jury member could resist them.
1) colloquial 2) enthusiastic 3) cogent 4) competitive
- 6- Believe it or not, laughing is considered to be one of the easiest ----- exercises that can cure many diseases.
1) transparent 2) benevolent 3) provocative 4) therapeutic
- 7- While Alex is very spendthrift and spends money recklessly, his brother Stew is quite ----- and spends only when it is necessary.
1) thrifty 2) assiduous 3) gregarious 4) grumpy
- 8- Chronic illness can ----- people in hospital. But what if they could access all the care they needed at home in virtual wards?
1) suffer 2) necessitate 3) trap 4) involve
- 9- The underlying message of the film is that love can transcend all -----.
1) impacts 2) barriers 3) analogies 4) interjections
- 10- It is no use arguing over such a trifling matter; instead we should discuss the matters of importance and -----.
1) pragmatism 2) facility 3) priority 4) jeopardy

PART B: Cloze Passage

Directions: Read the following passage and decide which choice (1), (2), (3), or (4) best fits each space. Then mark the correct choice on your answer sheet.

Genetically modified superhumans. Babies born with made-to-order characteristics. The idea has been explored in everything from academic journals (11) ----- movies. CRISPR technology could make it (12) -----.

The ability to alter human genes in a way that can be passed onto offspring, (13) ----- germline engineering, has long been possible. But (14) ----- genetically modify animals were so inefficient and crude (15) ----- no sane biologist

would dream of using them on humans. Tinkering with the genes inside people has been limited to gene therapy, where the changes don't get passed to the next generation.

- 11- 1) in 2) through 3) for 4) to
 12- 1) to be real 2) as real 3) a reality 4) being a reality
 13- 1) called 2) to be called 3) which called 4) is called
 14- 1) until recently the methods available to
 2) the until recently methods available to
 3) the methods available to until recently
 4) until available to recently methods
 15- 1) as 2) that 3) because 4) such that

PART C: Reading Comprehension:

Directions: Read the following three passages and answer the questions by choosing the best choice (1), (2), (3), or (4). Then mark the correct choice on your answer sheet.

PASSAGE 1:

Though relatively new in the world of wireless communications, the history of millimeter wave technology goes back to the 1890's when Bose was experimenting with millimeter wave signals at just about the time when his contemporaries like Marconi were inventing radio communications. Following Bose's research, millimeter wave technology remained within the confines of university and government laboratories for almost half a century.

The propagation characteristics of millimeter waves through the atmosphere depend primarily on atmospheric oxygen, humidity, fog and rain. The signal loss due to atmospheric oxygen, although a source of significant limitation in the 60 GHz band, is almost negligible in the 70 and 80 GHz bands. The effect of water vapor, which varies depending on the absolute humidity, is between zero and about 3dB loss per km at very high humidity and temperature.

The performance reliability of a communication system is often benchmarked in terms of availability percentage of the system. It signifies the average percentage of the time the system is expected to operate to its specification. As stated before, there are other factors that dictate the performance of a millimeter wave link. An intense rain event may cause significant attenuation of millimeter wave signals, but it may not cause an outage of a millimeter wave data link if the link has sufficient margin.

One of the key advantages of millimeter wave communication technology is the large amount of spectral bandwidth available. The bandwidth available in the 70 GHz and 80 GHz bands, a total of 10 GHz, is more than the sum total of all other licensed spectrum available for wireless communication. With such wide bandwidth available, millimeter wave wireless links can achieve capacities as high as 10 Gbps full duplex, which is unlikely to be matched by any lower frequency RF wireless technologies.

- 16- Based on the text, which statement is true?
- 1) Universities and government laboratories banned the use of millimeter waves.
 - 2) The millimeter waves were used by Marconi for radio communications.
 - 3) The millimeter waves were rapidly used right after Bose's experiment.
 - 4) The results of Bose's experiment were not received the attention it deserved by industry.
- 17- According to text, we can conclude that -----.
- 1) The environmental factors have a significant role in the propagation characteristics of millimeter waves.
 - 2) The atmospheric oxygen is more destructive when the frequency of millimeter waves increases.
 - 3) The total attenuation due to humidity does not depend on the transmitter receiver distance.
 - 4) Millimeter waves are less attenuated when it is very humid.
- 18- What is the main adverse attribute of the transmission using millimeter waves?
- 1) It can be used for high rate transmission.
 - 2) It is highly sensitive to severe weather conditions.
 - 3) It is a solution for spectrum scarcity.
 - 4) The large amount of the available bandwidth.
- 19- The word "relatively" in the first paragraph, can be replaced by -----.
- 1) absolutely
 - 2) entirely
 - 3) comparatively
 - 4) utterly
- 20- The word "benchmarked" in the third paragraph can be replaced by -----.
- 1) visualized
 - 2) evaluated
 - 3) completed
 - 4) attained

PASSAGE 2:

In the 20th century, the world's power systems were based on alternating current (AC). The key to AC's triumph was that power could be transformed to higher voltages by use of magnetic induction and then sent over long distances at low currents, minimizing the losses due to resistance; at the destination, the system would reduce the voltage for local distribution. At the time, there was no way to do the same with direct current (DC). However, power engineers also knew that a DC system operating at high voltage would be superior to AC for the same task, since the amount of electricity lost during DC transmission would be far less.

Let's say you are transmitting a given amount of power by high-voltage DC (HVDC): When you double the voltage, you need only half the current of a comparable AC system, thus reducing the line losses by a factor of four. You also need a lot less wire, as DC current penetrates the entire conductor of a power line, whereas AC current remains largely near the surface. In other words, for the same conductor size, the effective resistance is greater with AC, and more power is lost as heat. In practice, that means the overall transmission infrastructure for AC far exceeds that for DC.

HVDC also allows for the easy transfer of power between grids that are operating at different frequencies. The converters, cables, breakers, and other components for HVDC are more expensive than those for AC, so it only makes economic sense to use HVDC over distances of 500 km or more. But that break-even distance has continued to come down as the cost of DC components drops. With these advantages in mind, power engineers experimented with DC transmission technology throughout the 20th century.

The key building block for HVDC was and still is the converter, located at either end of an HVDC line. It serves to convert high-voltage AC to high-voltage DC and DC back to AC. Through the 1960s, such converters relied on mercury arc valves, which were basically electronic switches that could only be turned on and not off, thereby limiting their functionality and resulting in substantial losses.

21- How is passage organized?

- 1) The merits and drawbacks of AC and DC in power distribution systems are compared.
- 2) The history of the power systems in the 21st century is reviewed.
- 3) It explains the break – even distance.
- 4) The characteristics of the HVDC are outlined.

22- Why in the 20th century, power engineers did not use DC systems for power transmission?

- 1) Low demand for lossless distribution lines.
- 2) Short distance transmission lines.
- 3) Lack of knowledge about its advantages.
- 4) Inefficiency of DC components.

23- According to the text, HVDC has the following advantages over HVAC except -----.

- 1) cheaper transmission infrastructure.
- 2) easier power grids connection.
- 3) use of magnetic induction.
- 4) lower transmission loss.

24- What are the main components in HVDC?

- 1) transmission lines.
- 2) AC/DC converters.
- 3) circuit breakers.
- 4) transformers.

25- Which of the following is the most likely topic of the paragraph following the passage?

- 1) technology of mercury-arc valves in 1960s.
- 2) AC's triumph in modern power transmission systems.
- 3) history of power systems in the 21st century.
- 4) advancements in AC/DC converters.

PASSAGE 3:

Effective network planning is essential to cope with the increasing number of mobile broadband data subscribers and bandwidth-intensive services competing for limited radio resources in cellular systems. Operators have met this challenge by increasing capacity with new radio spectrum, adding multi-antenna techniques and implementing more efficient modulation and coding schemes.

However, these measures alone are insufficient in the most crowded environments and at cell edges where performance can significantly degrade. Operators are also adding small cells and tightly-integrating these with their macro networks to spread traffic loads, widely maintain performance and service quality while reusing spectrum most efficiently.

One way to expand an existing macro-network, while maintaining it as a homogeneous network, is to “densify” it by adding more sectors per base station or deploying more macro base stations. However, reducing the site-to-site distance in the macro-network can only be pursued to a certain extent because finding new macro-sites becomes increasingly difficult and can be expensive, especially in city centers. An

alternative is to introduce small cells through the addition of low-power base stations. The actual cell size depends not only on base station power but also on antenna position, as well as the location environment; e.g. rural or city, indoor or outdoor. Small cells are primarily added to increase capacity in hot spots with high user demand and to fill in areas not covered by the macro network - both outdoors and indoors. They also improve network performance and service quality by offloading from the large macro-cells. The result is a heterogeneous network with large macro-cells in combination with small cells providing increased bitrates per unit area.

- 26- **According to the text, what is the main challenge in the network planning?**
- 1) Services which require significant bandwidths.
 - 2) Systems with rising number of subscribers.
 - 3) Spectrum scarcity.
 - 4) All of the above.
- 27- **Based on the text, which statement is valid?**
- 1) The problem of network planning has been solved by increasing the number of sectors per base station.
 - 2) Utilizing multi-antenna systems is enough for efficient network planning in the crowded area.
 - 3) Heterogeneous networks expand the capacity of the cellular systems.
 - 4) Improving the modulation and coding is the most productive approach to be used in cell edges.
- 28- **Which of the following approaches does not result in a homogeneous network?**
- 1) Deploying small cells with low power base stations in addition to the existing macro base station.
 - 2) Implementing more efficient techniques for modulation and coding.
 - 3) Densifying the network by implementing more macro base stations.
 - 4) Expanding the number of sectors for each base station.
- 29- **According to the text, we can conclude that -----**
- 1) Densifying the network with more macro base stations in hot spots is an easy and economically efficient task.
 - 2) Small cells in heterogeneous networks cover the areas with low coverage from macro base stations.
 - 3) The actual size of a cell is affected only by the power of its base station.
 - 4) The number of macro base stations can be increased to any arbitrary level.
- 30- **The word "expand" in the third paragraph, can not be replaced by which of the following words?**
- 1) Develop
 - 2) Extend
 - 3) Enlarge
 - 4) Restrict

رياضيات (معادلات ديفرانسيال، رياضيات مهندسي، آمار و احتمالات):

31- اگر $y(t) = u_1 \cos 3t + u_2 \sin 3t$ جواب معادله ديفرانسيال $y'' + 9y = \sec^2(3t)$ به روش تغيير پارامتر باشد، $u_1(t)$ کدام است؟

(1) $c_1 - \frac{1}{\cos 3t}$

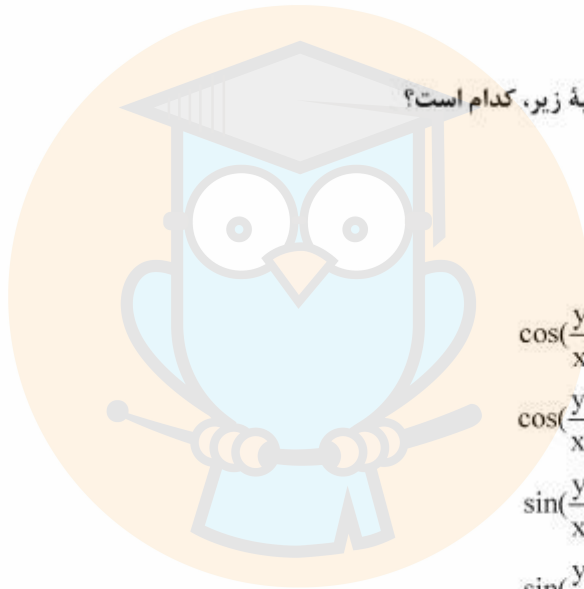
(2) $c_1 + \frac{1}{\cos 3t}$

(3) $c_1 + \frac{3}{\cos 3t}$

(4) $c_1 - \frac{3}{\cos 3t}$

32- جواب مسئله مقدار اوليه زير، کدام است؟

$$\begin{cases} x \frac{dy}{dx} = y + x \sec\left(\frac{y}{x}\right) \\ y(1) = \frac{\pi}{4} \end{cases}$$



(1) $\cos\left(\frac{y}{x}\right) = \ln|x| - \frac{\sqrt{2}}{2}$

(2) $\cos\left(\frac{y}{x}\right) = \ln|x| + \frac{\sqrt{2}}{2}$

(3) $\sin\left(\frac{y}{x}\right) = \ln|x| - \frac{\sqrt{2}}{2}$

(4) $\sin\left(\frac{y}{x}\right) = \ln|x| + \frac{\sqrt{2}}{2}$

www.cafetadris.com

33- مجموعه نقاط تكين معادله $\tan(2x-1)y'' + xy' = \frac{1}{x}$ ، چيست؟

(1) $\left\{ \dots, \frac{-2\pi-2}{2}, \frac{-\pi-2}{2}, 0, \frac{\pi-2}{2}, \frac{2\pi-2}{2}, \dots \right\}$

(2) $\left\{ \dots, \frac{-2\pi-2}{2}, \frac{-\pi-2}{2}, \frac{\pi-2}{2}, \frac{2\pi-2}{2}, \dots \right\}$

(3) $\left\{ \dots, \frac{-2\pi-2}{4}, \frac{-\pi-2}{4}, 0, \frac{\pi-2}{4}, \frac{2\pi-2}{4}, \dots \right\}$

(4) $\left\{ \dots, \frac{-2\pi-2}{4}, \frac{-\pi-2}{4}, \frac{\pi-2}{4}, \frac{2\pi-2}{4}, \dots \right\}$

۳۴- اگر جواب معادله $x^2 y'' + xy' + (x^2 - 1)y = 0$ را به روش فروبنیوس به ازای ریشه بزرگ تر معادله مشخصه در نظر بگیریم، روابط بازگشتی بین ضرایب سری به چه صورت است؟

$$a_n = \frac{a_{n-2}}{1-n^2} \quad (1)$$

$$a_n = \frac{a_{n-2}}{n^2-1} \quad (2)$$

$$a_{n+2} = \frac{a_n}{(n+2)(n+4)} \quad (3)$$

$$a_{n+2} = \frac{-a_n}{(n+2)(n+4)} \quad (4)$$

۳۵- به ازای $-\pi < x < \pi$ ، $x = -2 \sum_{n=1}^{\infty} \frac{(-1)^n}{n} \sin(nx)$ و $x^3 = -2 \sum_{n=1}^{\infty} \left(\frac{\pi^2}{n} - \frac{6}{n^3}\right) (-1)^n \sin(nx)$ است. از ضرب

داخلی این دو تابع، کدام نتیجه، حاصل می شود؟

$$\sum_{n=1}^{\infty} \frac{1}{n^2} \left(\pi^2 - \frac{6}{n^2}\right) = \frac{\pi^4}{10} \quad (1)$$

$$\sum_{n=1}^{\infty} \frac{1}{n^2} \left(\pi^2 - \frac{6}{n^2}\right) = \frac{\pi^4}{5} \quad (2)$$

$$\sum_{n=1}^{\infty} \frac{1}{n^2} \left(\pi^2 - \frac{6}{n^2}\right) = \frac{\pi^2}{5} \quad (3)$$

$$\sum_{n=1}^{\infty} \frac{1}{n^2} \left(\pi^2 - \frac{6}{n^2}\right) = \frac{\pi^2}{10} \quad (4)$$

۳۶- تابع $f(x, t)$ در هر لحظه t ای نسبت به متغیر x ، تکه‌ای هموار بوده و قابل نمایش به صورت یک سری فوریه با ضرایب پیوسته $f_n(t)$ ، نسبت به پایه متعامد مورد نیاز مسئله مقدار اولیه - مرزی زیر است.

$$\begin{cases} u_{tt} - a^2 u_{xx} = f(x, t), 0 < x < L, t > 0 \\ u(x, 0) = 0, u_t(x, 0) = 0, 0 \leq x \leq L \\ u(0, t) = 0 = u(L, t), t > 0 \end{cases}$$

اگر $u(x, t) = \int_0^t \int_0^L G(x, z, t - \tau) f(z, \tau) dz d\tau$ ، جواب مسئله مقدار اولیه - مرزی باشد، تابع G کدام است؟

$$\frac{2}{\pi a} \sum_{n=1}^{\infty} \frac{1}{n} \sin \frac{n\pi}{L} a(t - \tau) \left(\sin \frac{n\pi x}{L} \right) \left(\sin \frac{n\pi z}{L} \right) \quad (1)$$

$$\frac{2}{\pi} \sum_{n=1}^{\infty} \frac{1}{n} \sin \frac{n\pi}{L} a(t - \tau) \left(\sin \frac{n\pi x}{L} \right) \left(\sin \frac{n\pi z}{L} \right) \quad (2)$$

$$\frac{2}{\pi a} \sum_{n=1}^{\infty} \frac{1}{n} \sin \frac{\gamma n\pi}{L} a(t - \tau) \left(\sin \frac{\gamma n\pi x}{L} \right) \left(\sin \frac{\gamma n\pi z}{L} \right) \quad (3)$$

$$\frac{2}{\pi} \sum_{n=1}^{\infty} \frac{1}{n} \sin \frac{\gamma n\pi}{L} a(t - \tau) \left(\sin \frac{\gamma n\pi x}{L} \right) \left(\sin \frac{\gamma n\pi z}{L} \right) \quad (4)$$

۳۷- برای حل معادله ناهمگن حرارت $u_t = u_{xx} + h(x, t)$ ، $0 < x < \pi$ ، $t > 0$ با شرایط مرزی $u(0, t) = u(\pi, t) = 0$

که در آن تابع h تکه‌ای هموار است، اگر $u(x, t) = \sum_{n=1}^{\infty} u_n(t) \sin(nx)$ اختیار شود، که در آن $u_n(t)$ از معادله

دیفرانسیل $u'_n(t) + n^2 \pi^2 u_n = A_n(t)$ به دست می‌آید، عبارت $A_n(t)$ کدام است؟

$$\int_0^{\pi} h(x, t) \sin nx \, dx \quad (1)$$

$$\pi \int_0^{\pi} h(x, t) \sin nx \, dx \quad (2)$$

$$\frac{\pi}{2} \int_0^{\pi} h(x, t) \sin nx \, dx \quad (3)$$

$$\frac{2}{\pi} \int_0^{\pi} h(x, t) \sin nx \, dx \quad (4)$$

۳۸- تعداد نقاط غیر تحلیلی تابع $f(z) = \frac{\text{Log}(iz+2)}{(z-1)\cosh(\pi z)\sin z}$ در درون مرز $|z|=2$ کدام است؟ (Log شاخه اصلی

تابع لگاریتم است)

(۱) ۵

(۲) ۳

(۳) ۶

(۴) بی شمار

۳۹- حاصل $\int (x-y+ix^2)dz$ ، در طول خط راست واصل از $z=0$ به $z=1+i$ ، کدام است؟

(۱) $1+\frac{i}{2}$

(۲) $\frac{1}{3}(i+1)$

(۳) $\frac{1}{3}(i-1)$

(۴) $1-\frac{i}{2}$

۴۰- اگر $B(p,q) = \int_0^1 t^{p-1}(1-t)^{q-1} dt$ به ازای $p>0, q>0$ (ثابت) تابع بتا باشد، با استفاده از تغییر متغیر

مقدار $B(a,1-a)$ (به ازای $0 < a < 1$)، کدام است؟ $t = \frac{1}{x+1}$

(۱) $\frac{\pi}{\sinh(\pi a)}$

(۲) $\frac{2\pi}{\sin(\pi a)}$

(۳) $\frac{\pi}{\sin(\pi a)}$

(۴) $\frac{\pi}{2\sin(\pi a)}$

۴۱- اگر برای دو پیشامد A و B داشته باشیم $P(A|B)+P(B|A) = \frac{3}{4}$ ، $P(B) = \frac{2}{3}$ و $P(A) = \frac{1}{3}$ ، مقدار

$P(A \cup B)$ کدام است؟

(۱) $\frac{1}{6}$

(۲) $\frac{5}{6}$

(۳) $\frac{1}{2}$

(۴) ۱

۴۲- تابع توزیع احتمال مشترک متغیرهای تصادفی X و Y به شکل زیر است. میانۀ متغیر تصادفی Y کدام است؟ (k عدد ثابت است)

$$f_{XY}(x,y) = \begin{cases} kx & 0 < x < y < 1 \\ 0 & \text{otherwise} \end{cases}$$

(۱) $\frac{1}{2}$

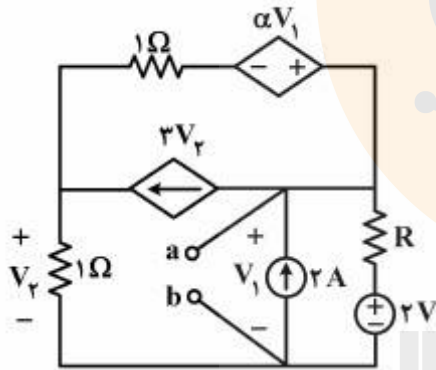
(۲) 2^{-1}

(۳) $\frac{1}{2}$

(۴) $\frac{3}{4}$

مدارهای الکتریکی ۱ و ۲:

۴۳- در مدار زیر، به ازای چه مقدار α ، مقاومت معادل دیده شده از دو سر a و b به صورت $R_{th} = R$ است؟



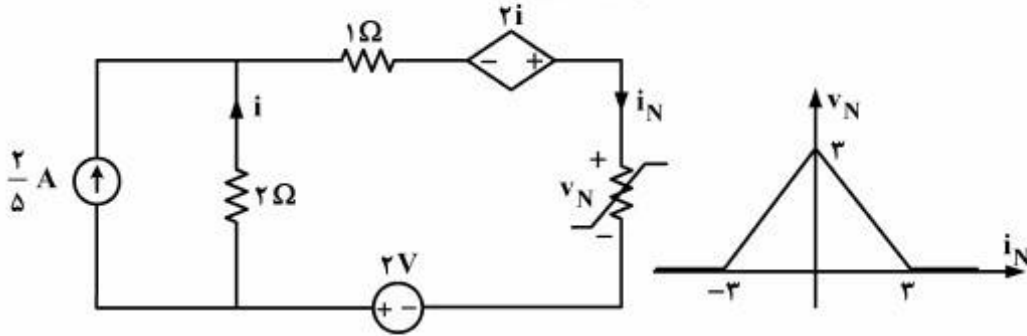
(۱) $\alpha = 0$

(۲) $\alpha = \frac{1}{2}$

(۳) $\alpha = 1$

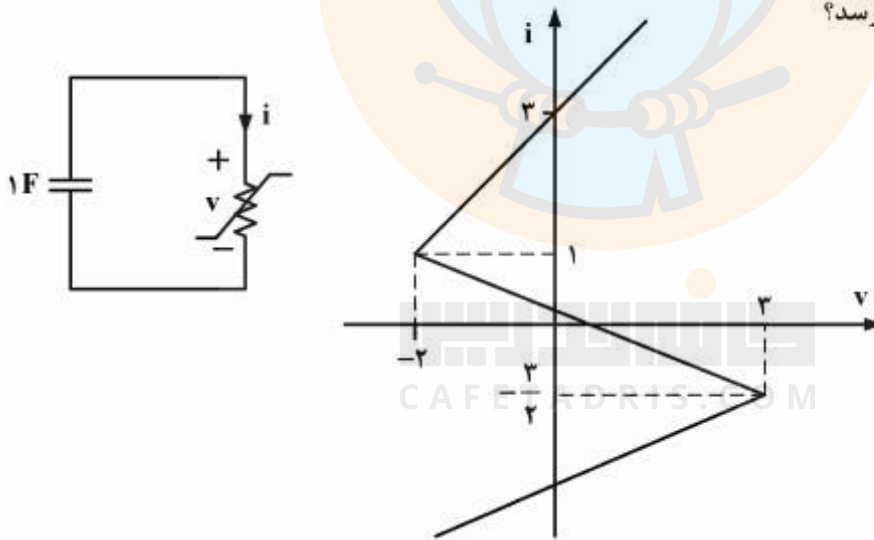
(۴) تمامی مقادیر $\alpha \neq 0$

۴۴- در مدار زیر، با توجه به مشخصه مقاومت غیرخطی $v_N - i_N$ ، جریان i چند آمپر است؟



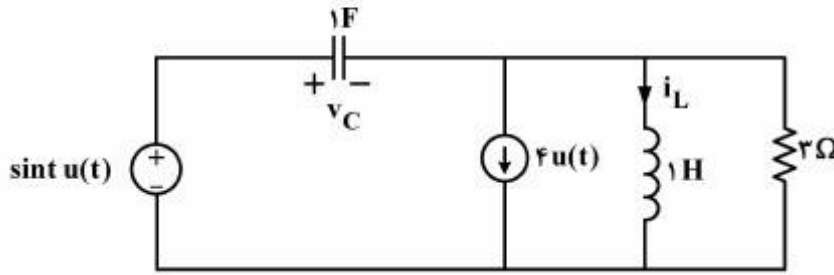
- (۱) $-\frac{2}{5}$
- (۲) $-\frac{9}{10}$
- (۳) $-\frac{2}{7}$
- (۴) $-\frac{6}{7}$

۴۵- در مدار زیر که شامل مقاومت غیرخطی با مشخصه نشان داده شده است، اگر $v(0) = 8V$ باشد، بعد از چه مدتی v به مقدار -2 ولت می‌رسد؟



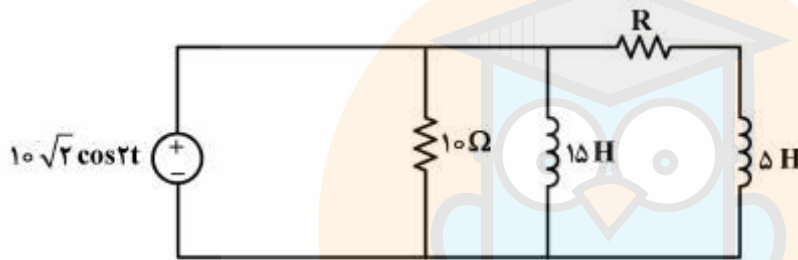
- (۱) $\ln 5$
- (۲) $\ln 11$
- (۳) ۱
- (۴) ۲

۴۶- در مدار زیر با $v_C(\bar{0}) = 2V$ و $i_L(\bar{0}) = 3A$ مقدار $i_L''(0^+)$ چند آمپر است؟



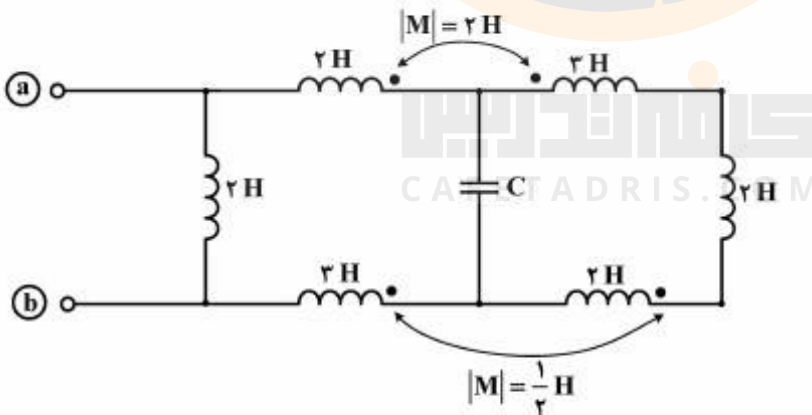
- (۱) $-\frac{16}{3}$
- (۲) $-\frac{7}{5}$
- (۳) -2
- (۴) $-\frac{19}{3}$

۴۷- در مدار زیر، مقدار بیشینه توان منبع در حالت دائمی سینوسی، چند وات است؟



- (۱) ۵
- (۲) ۱۰
- (۳) ۱۵
- (۴) ۳۰

۴۸- به ازای چه مقداری برای خازن C، امپدانس دیده شده از سرهای a و b در فرکانس $\omega = 2 \frac{\text{rad}}{\text{s}}$ به صورت سلفی خالص می شود؟



- (۱) $\frac{1}{10} F$
- (۲) $\frac{1}{6} F$
- (۳) $\frac{1}{5} F$
- (۴) $\frac{1}{3} F$

۴۹- در گراف ۶ شاخه‌ای و ۴ گرهی، ماتریس کات ست‌های اساسی به صورت زیر است. ماتریس حلقه‌های اساسی کدام است؟

شماره شاخه‌ها

| | | | | | | |
|-------|---|---|---|---|---|---|
| | ۱ | ۲ | ۳ | ۴ | ۵ | ۶ |
| $Q =$ | $\begin{bmatrix} -1 & 1 & -1 & 0 & 0 & 0 \\ 1 & 0 & 1 & 1 & -1 & 0 \\ -1 & 0 & 0 & 0 & 1 & 1 \end{bmatrix}$ | | | | | |

$$B = \begin{bmatrix} 1 & 1 & 0 & -1 & 0 & 1 \\ 0 & 1 & 1 & -1 & 0 & 0 \\ 0 & 0 & 0 & 1 & 1 & -1 \end{bmatrix} \quad (1)$$

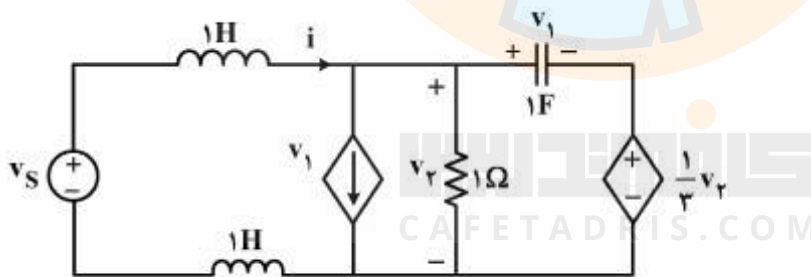
$$B = \begin{bmatrix} 1 & -1 & 0 & 1 & 0 & -1 \\ 0 & -1 & 1 & 1 & 0 & 0 \\ 0 & 0 & 0 & -1 & 1 & 1 \end{bmatrix} \quad (2)$$

$$B = \begin{bmatrix} 1 & 0 & 0 & 1 & -1 & 1 \\ 0 & 1 & 0 & 1 & -1 & 0 \\ 0 & 0 & 1 & 0 & 1 & -1 \end{bmatrix} \quad (3)$$

$$B = \begin{bmatrix} 1 & 0 & 0 & -1 & 1 & -1 \\ 0 & 1 & 0 & -1 & 1 & 0 \\ 0 & 0 & 1 & 0 & -1 & 1 \end{bmatrix} \quad (4)$$

۵۰- در مدار زیر با فرض اینکه بردار حالت به صورت $x = \begin{bmatrix} i(t) \\ v_1(t) \end{bmatrix}$ می‌باشد، ماتریس A در معادلات حالت مدار

$\dot{x} = Ax + Bv$ کدام است؟



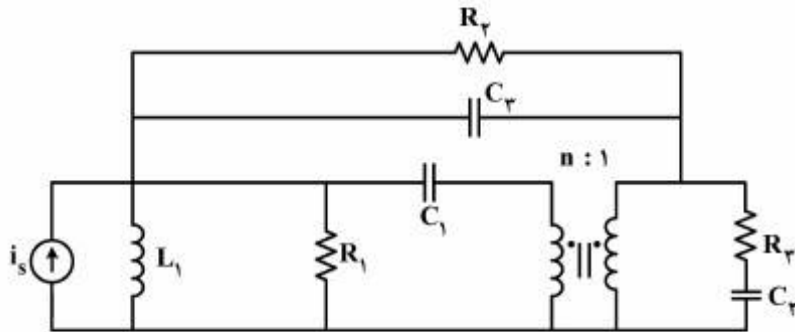
$$\begin{bmatrix} 0 & -1 \\ 1 & -5 \\ & 2 \end{bmatrix} \quad (1)$$

$$\begin{bmatrix} 0 & -1 \\ & 2 \\ -1 & 2 \end{bmatrix} \quad (2)$$

$$\begin{bmatrix} 0 & -2 \\ & 4 \\ 1 & -2 \end{bmatrix} \quad (3)$$

$$\begin{bmatrix} 0 & -2 \\ & 4 \\ 1 & -5 \end{bmatrix} \quad (4)$$

۵۱- در مدار زیر، به ازای کدام مقدار n ، ضریب جمله بیشترین درجه معادله مشخصه مدار، صفر می‌شود؟ (معادله مشخصه مدار، معادله تمام فرکانس‌های طبیعی مدار است.)



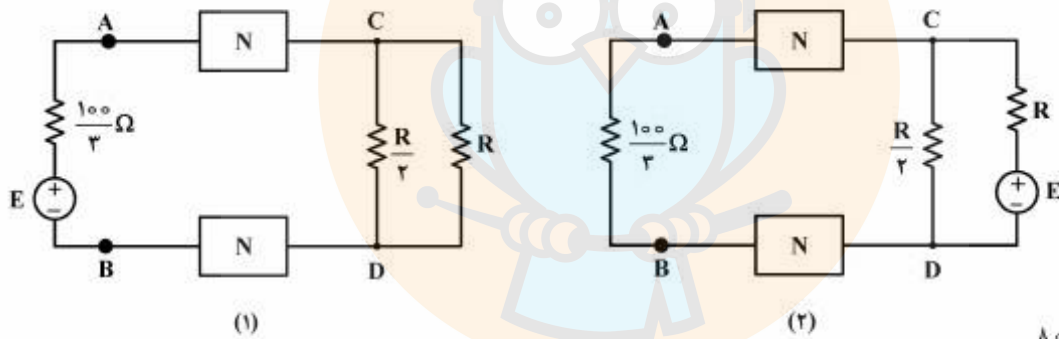
(۱) $n = 1$

(۲) $n > 2$

(۳) n هر مقداری می‌تواند باشد.

(۴) جوابی وجود ندارد.

۵۲- در مدار زیر N یک شبکه متقابل و E ثابت است. اگر در شکل (۱) $v_{AC} = \frac{1}{4}E$ و در شکل (۲) $v_{AB} = \frac{1}{6}E$ باشد، مقدار R چند اهم است؟



(۱) ۸۰۰

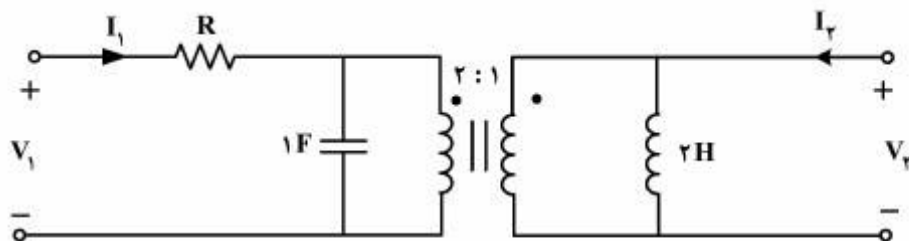
(۲) ۹۰۰

(۳) ۱۱۰۰

(۴) ۱۹۰۰

کافه تدریس
CAFETADRIS.COM

۵۳- در شکل زیر، اگر در ترمینال ماتریس ادمنیتانس دو قطبی نشان داده شده در $s = \frac{1}{4}$ ، برابر با ۱۲ باشد، مقاومت R چند اهم است؟



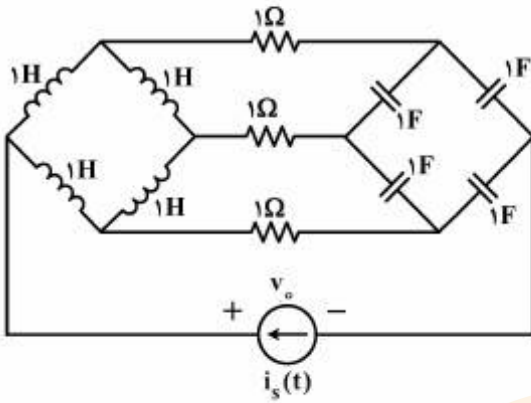
(۱) ۰

(۲) ۱

(۳) ۲

(۴) ۴

۵۴- در مدار زیر با $i_s = u(t)$ ، پاسخ حالت صفر v_o کدام است؟ s_1 و s_2 فرکانس‌های طبیعی مدار می‌باشند.



$$v_o(t) = \frac{1}{2}u(t) + tu(t) + k_1e^{s_1t} + k_2e^{s_2t} \quad (1)$$

$$v_o(t) = \frac{1}{2}\delta(t) + \frac{1}{2}tu(t) + k_1e^{s_1t} + k_2e^{s_2t} \quad (2)$$

$$v_o(t) = \frac{1}{2}u(t) + \frac{1}{2}tu(t) + k_1e^{s_1t} + k_2e^{s_2t} \quad (3)$$

$$v_o(t) = \frac{1}{2}\delta(t) + \frac{1}{2}u(t) + \frac{1}{2}tu(t) + k_1e^{s_1t} + k_2e^{s_2t} \quad (4)$$

113

A



نام:
نام خانوادگی:
محل امضا:



جمهوری اسلامی ایران
وزارت علوم، تحقیقات و فناوری
سازمان سنجش آموزش کشور

«اگر دانشگاه اصلاح شود مملکت اصلاح می‌شود.»
امام خمینی (ره)

دفترچه شماره (۲)
صبح پنج‌شنبه
۹۵/۰۲/۱۶

آزمون ورودی دوره‌های کارشناسی ارشد ناپیوسته داخل - سال ۱۳۹۵

مجموعه مهندسی برق - کد ۱۲۵۱

مدت پاسخگویی: ۱۵۰ دقیقه

تعداد سؤال: ۹۶

عنوان مواد امتحانی، تعداد و شماره سؤالات

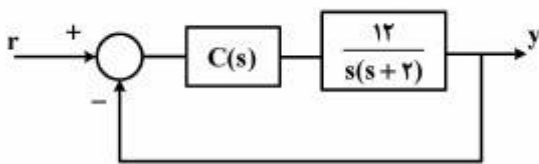
| ردیف | مواد امتحانی | تعداد سؤال | از شماره | تا شماره |
|------|----------------------------|------------|----------|----------|
| ۱ | سیستمهای کنترل خطی | ۱۲ | ۵۵ | ۶۶ |
| ۲ | تجزیه و تحلیل سیستمها | ۱۲ | ۶۷ | ۷۸ |
| ۳ | بررسی سیستمهای قدرت ۱ | ۱۲ | ۷۹ | ۹۰ |
| ۴ | مدار منطقی و ریزپردازندهها | ۱۲ | ۹۱ | ۱۰۲ |
| ۵ | الکترونیک ۱ و ۲ | ۱۲ | ۱۰۳ | ۱۱۴ |
| ۶ | ماشینهای الکتریکی ۱ و ۲ | ۱۲ | ۱۱۵ | ۱۲۶ |
| ۷ | الکترومغناطیس | ۱۲ | ۱۲۷ | ۱۳۸ |
| ۸ | مقدمه‌ای بر مهندسی پزشکی | ۱۲ | ۱۳۹ | ۱۵۰ |

این آزمون نمره منفی دارد.

استفاده از ماشین حساب مجاز نیست.

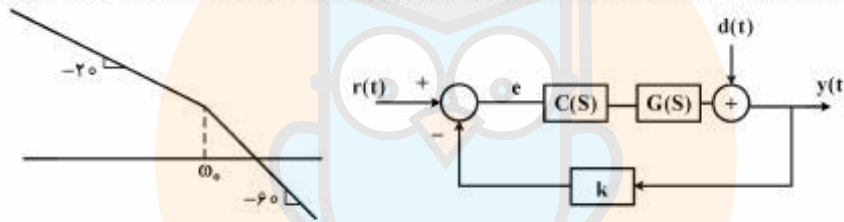
حق چاپ، تکثیر و انتشار سؤالات به هر روش (الکترونیکی و ...) پس از برگزاری آزمون، برای تمامی اشخاص حقیقی و حقوقی تنها با مجوز این سازمان مجاز می‌باشد و با متخلفین برابر مقررات رفتار می‌شود.

۵۵- در سیستم کنترل حلقه بسته زیر، از یک کنترل کننده به صورت $C(s) = \frac{s+z}{s+5}$ با هدف به دست آوردن زمان نشست حداکثر ۲ ثانیه، استفاده شده است. حداقل خطای دائمی در پاسخ به ورودی شیب واحد، کدام است؟



- (۱) $\frac{1}{5}$
 (۲) $\frac{1}{4}$
 (۳) $\frac{1}{3}$
 (۴) $\frac{1}{2}$

۵۶- در بلوک دیاگرام زیر، سیستم G یک سیستم مینیمم فاز و بهره k، مقادیر بزرگی جهت حذف اغتشاش دارد. در صورتی که نمودار اندازه بود سیستم G، به صورت زیر باشد، از کدام کنترل کننده جهت طراحی سیستم حلقه بسته می توان استفاده نمود؟



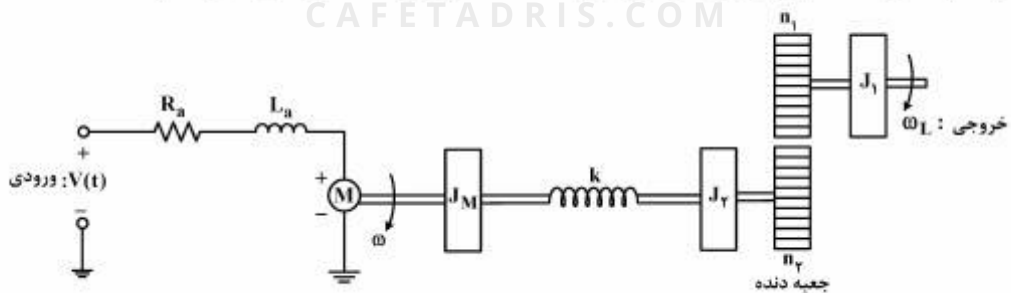
(۱) PD $C(s) = b(1+as)$

(۲) PI $C(s) = b(1+\frac{a}{s})$

(۳) Lead $b > a, C(s) = \frac{s+a}{s+b}$

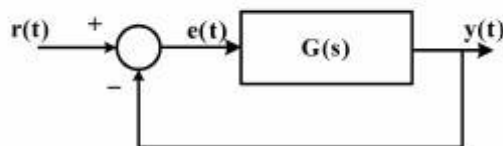
(۴) Lag $a > b, C(s) = \frac{s+a}{s+b}$

۵۷- سیستم الکترو- مکانیکی زیر را در نظر بگیرید. تعداد متغیرهای حالت این سیستم، کدام است؟



- (۱) ۳
 (۲) ۴
 (۳) ۵
 (۴) ۶

۵۸- بلوک دیاگرام زیر را در نظر بگیرید.

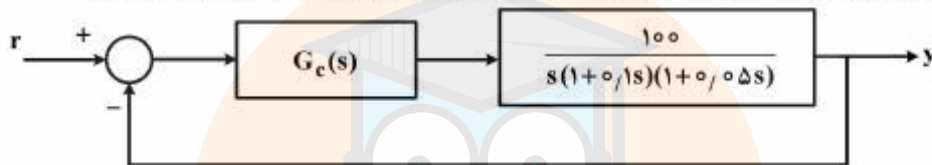


در صورتی که تابع تبدیل به صورت $G(s) = \frac{2}{s^2 + as + 2}$ باشد، خطای (e(t)) حالت ماندگار سیستم به ورودی

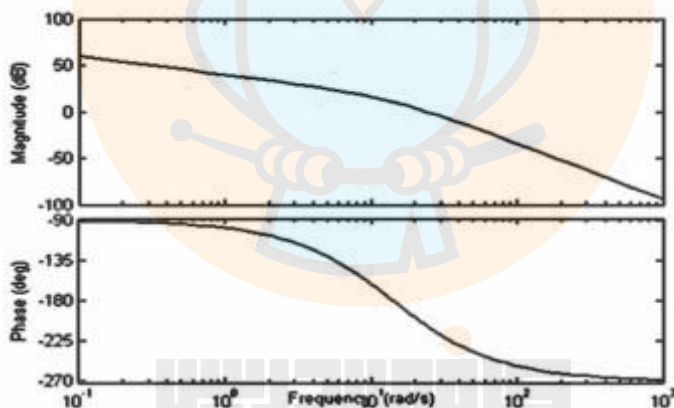
$r(t) = u(t) + 2tu(t)$ ، کدام است؟

- (۱) صفر
 (۲) بستگی به مقدار a دارد
 (۳) 2a
 (۴) بی‌نهایت

۵۹- سیستم زیر را در نظر بگیرید. پاسخ فرکانسی حلقه باز در شکل زیرین، نشان داده شده است.



Bode Diagram



در صورتی که بخواهیم شرایط زیر برقرار باشد:

الف: $k_v \geq 100$ (ثابت خطای شیب واحد)

ب: $P.m \geq 45^\circ$ (حاشیه فاز)

کدام یک از جبران‌سازهای زیر قادر به کنترل این سیستم نمی‌باشد؟

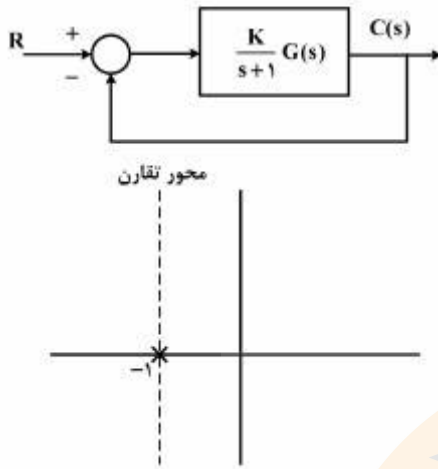
$$G_c(s) = \frac{1-\delta s}{1+\delta \omega s} \quad (1)$$

$$G_c(s) = \frac{k}{a} \frac{1+aTs}{1+Ts}, \quad T > 0, \quad a > 1 \quad (2)$$

$$G_c(s) = k \frac{1+aTs}{1+Ts}, \quad T > 0, \quad 0 < a < 1 \quad (3)$$

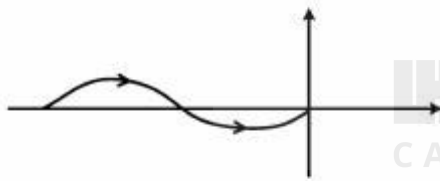
$$G_c(s) = \frac{k}{a} \frac{1+aTs}{1+Ts} \times \frac{1+bT_1s}{1+T_1s}, \quad T, T_1 > 0, \quad a \cdot b > 1 \quad (4)$$

۶۰- به ازای $k > 0$ ، کدام گزینه در مورد شکل مکان‌هندسی ریشه‌های حلقه بسته بلوک دیاگرام زیر صحیح است؟ در مورد $G(s)$ می‌دانیم که صفری ندارد و همه قطب‌های آن نسبت به محور نشان‌داده شده روی شکل متقارن هستند.



- ۱) با افزایش تعداد قطب‌های $G(s)$ ، محل تلاقی مجانب‌ها به سمت راست میل می‌کند.
- ۲) با افزایش تعداد قطب‌های $G(s)$ ، محل تلاقی مجانب‌ها به سمت چپ میل می‌کند.
- ۳) شکل مکان نسبت به محور نشان‌داده شده، متقارن است.
- ۴) شکل مکان نسبت به محور نشان‌داده شده، می‌تواند متقارن نباشد.

۶۱- دیاگرام قطبی زیر، مربوط به کدام تابع تبدیل می‌تواند باشد؟



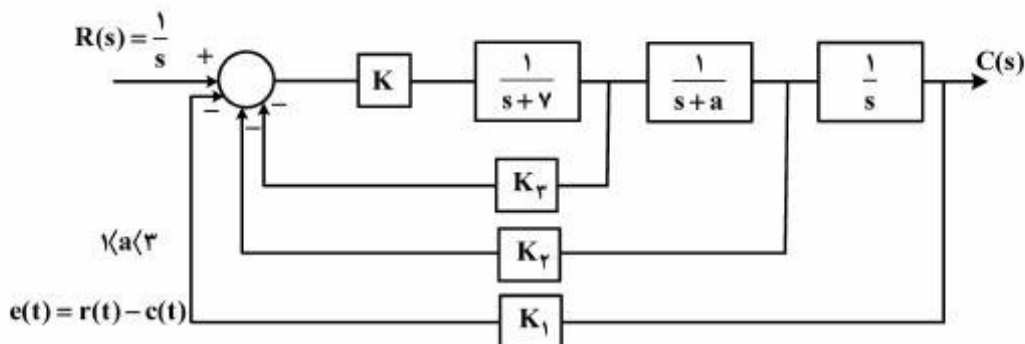
$$G(s) = \frac{k(s+4)(s-2)}{(s+1)(s+2)(s+3)} \quad (1)$$

$$G(s) = k \frac{-(s+4)(s-2)}{(s-1)(s+2)(s+3)} \quad (2)$$

$$G(s) = k \frac{s+4}{(s-1)(s+2)} \quad (3)$$

$$G(s) = k \frac{s+4}{(s+1)(s+2)} \quad (4)$$

۶۲- دیاگرام زیر را در نظر بگیرید.



$$\begin{cases} e_{ss} = 0 \\ p.0 \leq \Delta\% \\ T_s \leq 4s \end{cases}$$
 مقادیر k , k_1 و k_r چقدر باشند تا به ازای تغییرات a داشته باشیم:

(۱) $k = 10, k_1 = 2, k_r = 0.25, k_r = 0.1$

(۲) $k = 20, k_1 = 2, k_r = \frac{15}{20}, k_r = 0.2$

(۳) $k = 10, k_1 = 1, k_r = -0.25, k_r = 0.1$

(۴) $k = 20, k_1 = 1, k_r = \frac{11}{20}, k_r = 0.2$

۶۳- دیاگرام مکان هندسی ریشه‌های سیستم زیر را در نظر بگیرید. حساسیت کدام نقطه نسبت به تغییرات پارامتر k کم‌تر است؟

$$G(s) = \frac{k(s^2 + 2s + 2)}{s(s+1)(s+5)}$$

(۱) $s = -0.9 + j0.9$

(۲) $s = -6$

(۳) $s = -1.5$

(۴) $s = -0.5$

۶۴- کدام گزینه درست است؟

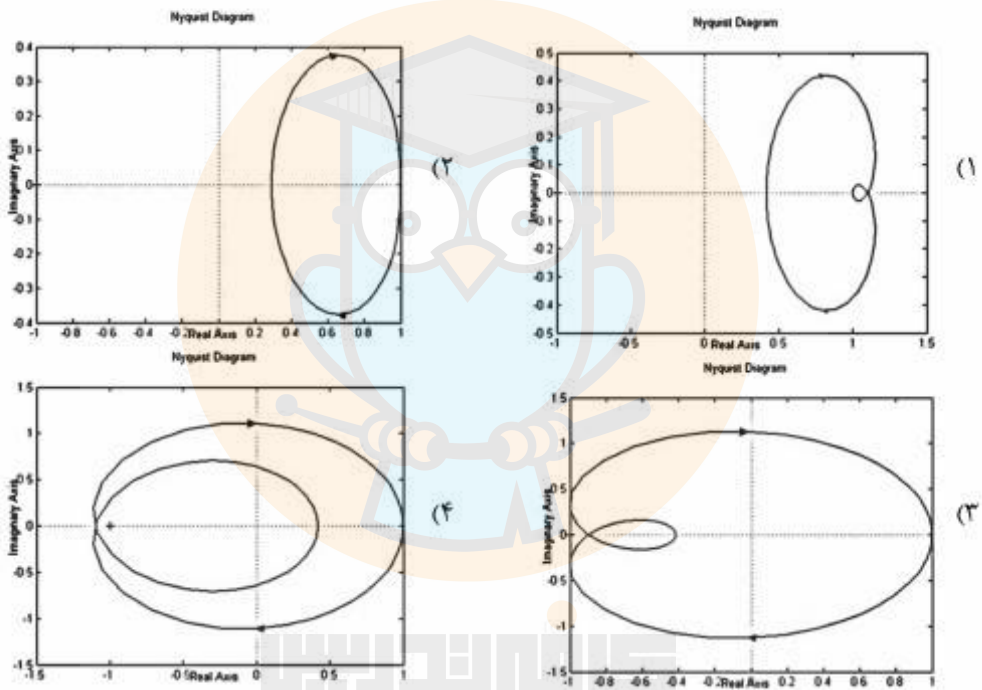
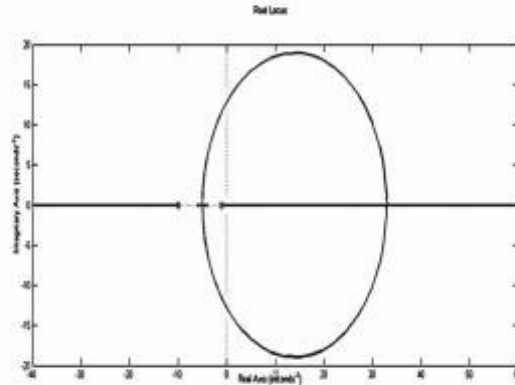
(۱) حتی سیستمی که دارای حد بهره و حد فاز بزرگی است، می‌تواند با تغییر اندک ولی هم‌زمان بهره و فاز ناپایدار شود.

(۲) در صورتی که منحنی نایکوئیست سیستم، نقطه -1 را قطع کند، سیستم حلقه بسته پایدار مرزی است.

(۳) در صورتی که فرکانس گذر بهره سیستم (ω_c) از فرکانس گذر فاز آن (ω_p) بزرگتر باشد، حد فاز منفی می‌شود و سیستم حلقه بسته ناپایدار است.

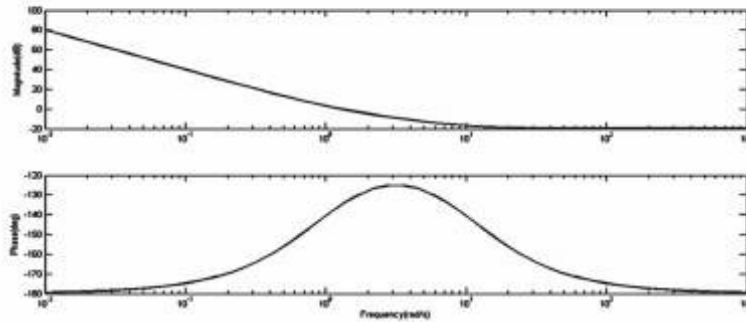
(۴) زاویه خروج در نقاط شکست از فرمول $\frac{180}{n}$ به دست می‌آید، که n تعداد شاخه‌هایی است که به هم می‌رسند.

۶۵- دیاگرام مکان هندسی ریشه‌های سیستمی برای $k < 0$ به شکل زیر داده شده است. منحنی ناپکوئیست مربوط، کدام است؟



CAFETADRIS.COM

۶۶- دیاگرام بودی تابع تبدیل $G(s)$ در شکل زیر داده شده است، تابع تبدیل $G(s)$ ، کدام است؟



$$G(s) = \frac{(s+1)(1+0.1s)(s+2)(s+4)}{s^2(1-0.1s^2)} \quad (1)$$

$$G(s) = \frac{(s+1)(1+0.1s^2)}{s^2(1-0.1s)} \quad (2)$$

$$G(s) = \frac{-(s+1)(1+0.1s^2)}{s(1-0.1s^2)} \quad (3)$$

$$G(s) = \frac{(s+1)(1-0.1s^2)}{s^2(s+0.2s)} \quad (4)$$

تجزیه و تحلیل سیستمها:

۶۷- یک سیستم زمان گسسته با ورودی $x[n]$ و خروجی $y[n]$ را در نظر بگیرید. رابطه تبدیل فوریه خروجی و ورودی این

سیستم به صورت $y(e^{j\omega}) = \int_{\omega_1}^{\omega_2} x(e^{j\lambda}) d\lambda$ بهم مرتبط هستند. $y[n]$ بر حسب $x[n]$ ، کدام است؟

$$y[n] = 2n \cos\left(\frac{\pi}{4}n\right)x[n] \quad (1)$$

$$y[n] = \frac{2}{n} \sin\left(\frac{\pi}{4}n\right)x[n] \quad (2)$$

$$y[n] = \frac{j2}{n} \sin\left(\frac{\pi}{4}n\right)x[n] \quad (3)$$

$$y[n] = 2n \sin\left(\frac{\pi}{4}n\right)x[n] \quad (4)$$

۶۸- اگر $h[n] = \delta[n-2] + \delta[n-3] + \delta[n-4]$ پاسخ ضربه سیستم و ورودی آن به شرح زیر بوده و

$$x[n] = \begin{cases} \frac{n}{5} & 0 \leq n \leq 5 \\ 2 - \frac{n}{5} & 6 \leq n \leq 10 \\ 0 & \text{بقیه جاها} \end{cases}$$

خروجی را با $y(n)$ نشان دهیم، مقدار ماکزیمم $y[n]$ ، کدام است؟

(۱) $\frac{3}{5}$

(۲) $\frac{8}{5}$

(۳) $\frac{13}{5}$

(۴) ۴

۶۹- پاسخ سیستم LTI زمان گسسته با پاسخ فرکانسی $H(e^{j\omega}) = \cos^2(\omega)$ به ورودی $x[n] = \sum_{k=-\infty}^{\infty} \delta[n-2k]$ چیست؟

(۱) $\frac{1}{2}$

(۲) $x[n]$

(۳) $\frac{1}{2} + x[n]$

(۴) $x[n-1]$

۷۰- یک سیستم LTI زمان گسسته علی با معادله تفاضلی زیر توصیف می شود.

$$y[n] + \frac{1}{2}y[n-1] = x[n] - x[n-1]$$

به ازای ورودی $x[n] = \begin{cases} 3, & n \text{ زوج} \\ 2, & n \text{ فرد} \end{cases}$ توان متوسط خروجی این سیستم، $y[n]$ ، برابر کدام است؟

(۱) ۲

(۲) ۴

(۳) ۸

(۴) ۱۶

۷۱- فرض کنید $x[n]$ یک سیگنال متناوب گسسته با دوره تناوب N زوج باشد، اگر $x[2n] = z[n]$ ؛ ضرایب سری فوریه

$x[n]$ به صورت $a_k = a_{k + \frac{N}{2}}$ باشند، $x[2n+1]$ ، کدام است؟

(۱) $x[2n+1] = -z[n]$

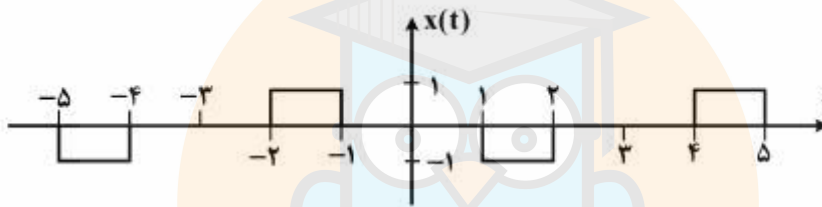
(۲) $x[2n+1] = (-1)^n z[n]$

(۳) $x[2n+1] = 0$

(۴) $x[2n+1] = (-1)^n$

۷۲- سیگنال متناوب نشان داده شده در شکل زیر $(x(t))$ از سیستمی با پاسخ ضربه $h(t) = \frac{\sin(\frac{\pi}{2}t)}{\pi t}$ عبور می کند.

سیگنال خروجی برابر کدام است؟



(۱) $\frac{-2}{\pi} \sin(\frac{\pi}{2}t)$

(۲) $2\pi \cos(\frac{\pi}{2}t)$

(۳) $\frac{2}{\pi} \sin(\frac{\pi}{6}t)$

(۴) $\frac{2}{2\pi} \cos(\frac{\pi}{2}t)$

۷۳- سیگنال $x(t)$ ، یک سیگنال متناوب با ضرایب سری فوریه زیر می باشد. کدام گزینه در مورد این سیگنال درست

است؟

$$c_k = \begin{cases} 1 & k = 0 \\ -j \left(\frac{1}{3}\right)^{|k|} & k \neq 0 \end{cases}$$

(۱) سیگنال $x(t)$ حقیقی است.

(۲) سیگنال $x(t)$ فرد است.

(۳) مشتق سیگنال $x(t)$ زوج است.

(۴) مشتق سیگنال $x(t)$ فرد است.

۷۴- ورودی یک سیستم LTI، $x(t) = \cos(100\pi t)[u(t) - u(t-5)]$ و پاسخ ضربه آن $h(t) = x(5-t)$ می‌باشد. مقدار خروجی در لحظه $t = 6$ ، $(y(6))$ برابر کدام است؟

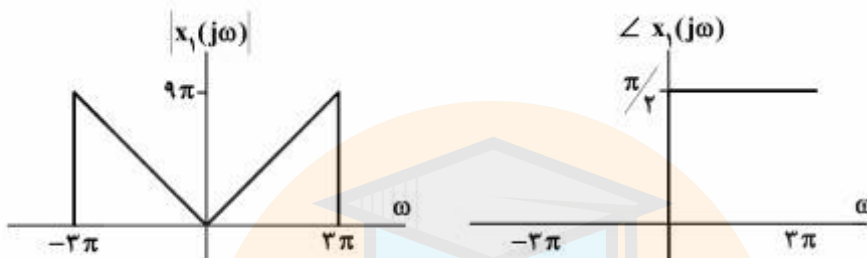
(۱) ۲

(۲) ۲/۵

(۳) ۴/۵

(۴) ۵

۷۵- $x_1(t)$ ، که اندازه و زاویه تبدیل فوریه آن به شکل زیر است، کدام یک از گزینه‌های زیر خواهد بود؟



(۱) $\frac{3}{\pi t^2} (\tau \pi t \cos(\tau \pi t) - \sin(\tau \pi t))$

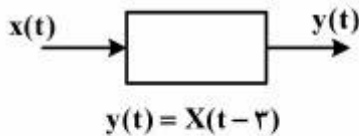
(۲) $\frac{3}{\pi t} (\tau \pi t \sin(\tau \pi t) - \cos(\tau \pi t))$

(۳) $\frac{\tau \sin(\tau \pi t)}{\pi t^2}$

(۴) $\frac{\tau \cos(\tau \pi t + \frac{\pi}{4})}{\pi t^2}$

کافه تدریس
CAFETADRIS.COM

۷۶- در شکل زیر، تبدیل فوریه سیگنال $x(t)$ را $X(\omega)$ می‌نامیم. رابطه ورودی و خروجی این سیستم به صورت زیر است. در مورد این سیستم، کدام گزینه، نادرست است؟



(۱) حافظه‌دار است.

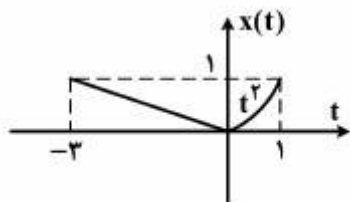
(۲) خطی است.

(۳) غیرسببی است.

(۴) تغییرناپذیر با زمان است.

۷۷- یک سیستم CT-LTI دارای پاسخ فرکانسی $H(j\omega) = \frac{\sin(2\omega)}{\omega}$ است. خروجی این سیستم به ازای ورودی

متناوب نشان داده شده در شکل زیر، کدام است؟



یک دوره تناوب از ورودی

- (۱) $\frac{11}{3}$
 (۲) $\frac{11}{6}$
 (۳) $\frac{11}{12}$
 (۴) $\frac{11}{24}$

۷۸- رابطه بین ورودی و خروجی در یک سیستم زمان گسسته به صورت زیر است:

$$y[n] = \begin{cases} \text{زوج } n & \text{Re}\{x[n-1]\} \\ \text{فرد } n & \text{Re}\{x[n-1] + x[n-2]\} \end{cases}$$

کدام گزینه در مورد این سیستم درست است؟

- (۱) خطی و تغییرناپذیر با زمان
 (۲) خطی و تغییرپذیر با زمان
 (۳) غیرخطی و تغییرناپذیر با زمان
 (۴) غیرخطی و تغییرپذیر با زمان

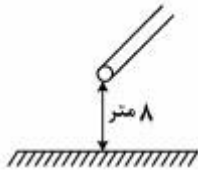
بررسی سیستمهای قدرت ۱:

۷۹- در یک باس ۲۰kV شبکه توزیع ۵۰Hz، بار ۱۰MVA با ضریب توان ۰/۸ پس فاز تغذیه می گردد. برای رساندن ضریب توان به مقدار واحد، یک بانک خازنی با اتصال مثلث نصب کرده ایم. با انتخاب مقادیر پایه برابر مقادیر نامی بار، مقدار یکایی (pu) سوسپتانس خازن و نیز ظرفیت خازن هر فاز بر حسب μF چقدر است؟

- (۱) $\frac{5}{\pi}, 0/6$
 (۲) $\frac{50}{\pi}, 0/6$
 (۳) $\frac{5}{\pi}, \frac{5}{3}$
 (۴) $\frac{50}{\pi}, \frac{5}{3}$

۸۰- کدام گزینه، ظرفیت خازنی نسبت به زمین یک هادی استوانه‌ای طولانی به شعاع ۱۰ میلی‌متر در ارتفاع ۸ متر به

موازات سطح زمین را بر حسب $\frac{F}{m}$ ، ارائه می‌کند؟



(۱) $\frac{\pi\epsilon_0}{2\text{Ln}2}$

(۲) $\frac{\pi\epsilon_0}{2\text{Ln}4}$

(۳) $\frac{\pi\epsilon_0}{\text{Ln}4}$

(۴) $\frac{\pi\epsilon_0}{\text{Ln}2}$

۸۱- اگر ظرفیت خازنی یک خط انتقال افزایش یابد، توان قابل انتقال و توان طبیعی آن چگونه تغییر می‌کند؟

(۱) توان قابل انتقال ثابت می‌ماند و توان طبیعی کم می‌شود.

(۲) توان قابل انتقال زیاد می‌شود و توان طبیعی ثابت می‌ماند.

(۳) هر دو افزایش می‌یابد.

(۴) هر دو کاهش می‌یابد.

۸۲- در یک خط سه‌فاز جابه‌جا شده با هادی‌های استوانه‌ای توپر، اگر ظرفیت خازنی هر فاز $C = 8\pi\epsilon_0 \left(\frac{F}{m}\right)$ باشد،

اندوکنانس هر فاز از این خط، چند $\frac{H}{m}$ است؟

(۱) $\frac{\mu_0}{8\pi}$

(۲) $\frac{\mu_0}{4\pi}$

(۳) $\frac{\mu_0}{2\pi}$

(۴) $\frac{\mu_0}{\pi}$

کافه تدریس
CAFETADRIS.COM

۸۳- اثر مقاومت سری خط بر امپدانس مشخصه، در دو حالت جریان عبوری ناشی از صاعقه و جریان AC ماندگار، چه

تفاوتی دارد؟

(۱) در حالت AC ماندگار، بیش‌تر است.

(۲) در حالت موج عبوری ناشی از صاعقه، بیش‌تر است.

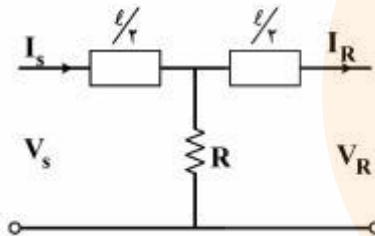
(۳) اثر مقاومت سری بر امپدانس مشخصه، همواره ناچیز است.

(۴) میزان این اثر در دو حالت تفاوتی ندارد.

۸۴- بار امیدانس موجی (ضربه)، امیدانس ضربه و طول موج یک خط انتقال سه فاز ۴۰۰ کیلوولت ۲۰۰ کیلومتری با اندوکتانس $1 \frac{mH}{km}$ و ظرفیت خازنی $0.75 \frac{\mu F}{km}$ در فرکانس ۵۰ هرتز، به ترتیب کدام است؟ خط را بی تلفات در نظر بگیرید.

- (۱) ۸۰۰ مگاوات، ۲۰۰ اهم، ۶۰۰۰ کیلومتر
- (۲) ۴۰۰ مگاوات، ۴۰۰ اهم، ۶۰۰۰ کیلومتر
- (۳) ۸۰۰ مگاوات، ۲۰۰ اهم، ۴۰۰۰ کیلومتر
- (۴) ۱۶۰۰ مگاوات، ۱۰۰ اهم، ۴۰۰۰ کیلومتر

۸۵- در وسط یک خط انتقال کوتاه به طول ℓ با امیدانس سری Z ، بار اهمی با مقاومت R وصل شده است. ماتریس انتقال مجموعه خط و بار، کدام است؟



$$\begin{bmatrix} 1 + \frac{Z}{2R} & Z(1 + \frac{Z}{4R}) \\ \frac{1}{R} & 1 + \frac{Z}{2R} \end{bmatrix} \quad (1)$$

$$\begin{bmatrix} 1 & R+Z \\ 0 & 1 \end{bmatrix} \quad (2)$$

$$\begin{bmatrix} 1 + \frac{Z}{R} & Z(2 + \frac{Z}{R}) \\ \frac{1}{R} & 1 + \frac{Z}{R} \end{bmatrix} \quad (3)$$

$$\begin{bmatrix} 1 & Z \\ \frac{1}{R} & 1 \end{bmatrix} \quad (4)$$

۸۶- اگر فرض کنیم اندوکتانس یک خط انتقال بدون تلفات با نزدیک تر کردن فاصله فازها به هم نصف شود، ولتاژ انتهای خط در بی باری:

- (۱) $\frac{\sqrt{2}}{2}$ برابر می شود.
- (۲) $\sqrt{2}$ برابر می شود.
- (۳) نصف می شود.
- (۴) تغییر نمی کند.

۸۷- در ترانسفورماتوری که مجهز به تنظیم‌کننده ولتاژ در طرف ثانویه است، با افزایش تپ، توان راکتیو خروجی ترانسفورماتور چه تغییری می‌کند؟

(۱) افزایش می‌یابد.

(۲) کاهش می‌یابد.

(۳) به ضریب توان بار بستگی دارد.

(۴) بدون تغییر می‌ماند.

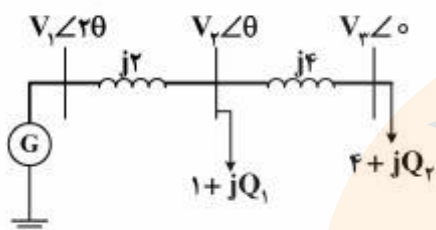
۸۸- در سیستم زیر که همه مقادیر آن به صورت یکایی بیان شده است، اگر اندازه ولتاژ در باس یک، برابر ۱ pu باشد، اندازه ولتاژ در باس ۳، چند pu خواهد بود؟

(۱) $\frac{8}{5}$

(۲) $\frac{8}{10}$

(۳) $\frac{10}{8}$

(۴) $\frac{4}{10}$



۸۹- ژنراتوری یک بار ۱۰۰ MW، ۵۰ MVar، را از طریق یک خط ۱۰۰ کیلوولت بدون تلفات تغذیه می‌کند. مقدار پارامترهای این خط در مبنای ۱۰۰ MVA از قرار زیر است:

$$X = 0.2 \text{ p.u.} \quad B = 0.2 \text{ p.u.}$$

همچنین یک خازن سه فاز ۱۰ MVar موازی بار متصل است. ماتریس ادیتمانس باس این شبکه جبران شده کدام است؟

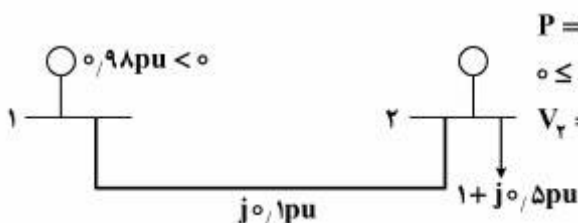
$$\begin{pmatrix} -j4/9 & j5 \\ j5 & 1 - j5/3 \end{pmatrix} \quad (1)$$

$$\begin{pmatrix} j4/9 & -j5 \\ -j5 & j4/8 \end{pmatrix} \quad (2)$$

$$\begin{pmatrix} -j4/9 & j5 \\ j5 & -j4/9 \end{pmatrix} \quad (3)$$

$$\begin{pmatrix} -j4/9 & j5 \\ j5 & -j4/8 \end{pmatrix} \quad (4)$$

۹۰- در شبکه زیر متشکل از شین مرجع و یک شین PV، کدام گزینه، اندازه ولتاژ شین ۲ پس از یک تکرار روش گاوس - سایدل را ارائه می‌کند. (در صورت نیاز از مقادیر ۱ و ۰ برای اندازه و زاویه حدس اولیه ولتاژ استفاده شود.)



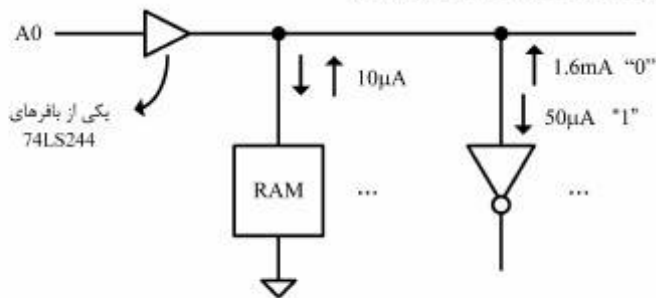
$$P = 0.8 \text{ p.u.} \quad 0.99 \quad (1)$$

$$0 \leq Q \leq 0.6 \text{ p.u.} \quad 1 \quad (2)$$

$$V_2 = 1.0 \text{ p.u.} \quad 1.01 \quad (3)$$

$$V_2 = 1.0 \text{ p.u.} \quad 1.02 \quad (4)$$

۹۱- در شکل زیر، اگر برای بافر کردن خط A0 از یکی از ۸ بیت تراشه 74LS244 استفاده شود؛ و تعداد حافظه‌ها ۱۰ برابر تعداد NOT ها باشد، حداکثر تعداد NOT ها، کدام است؟



فرض کنید مشخصات تراشه 74LS244 مطابق جدول زیر می‌باشد.

| Parameter | Condition | Min | Typ | Max | Unit |
|-----------|-----------------|-----|-----|------|---------|
| V_{OH} | $I_{OH}=15mA$ | 2.4 | 3.5 | | V |
| V_{OL} | $I_{OL}=25.5mA$ | | | 0.4 | V |
| I_{IH} | $V_I=2.7V$ | | | 20 | μA |
| I_{IL} | $V_I=0.4V$ | | | -0.2 | μA |

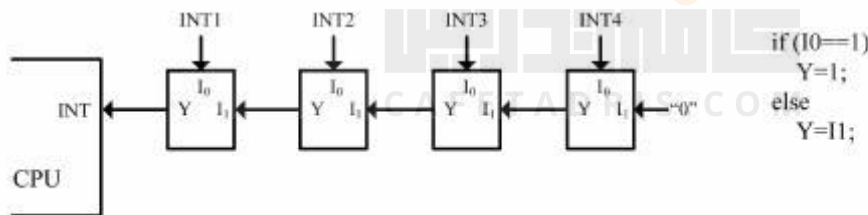
۱۵ (۱)

۱۶ (۲)

۱۰۰ (۳)

۱۱۵ (۴)

۹۲- در شکل زیر، چهار سیستم می‌توانند در CPU وقفه ایجاد کنند. عملکرد هر جعبه به صورت زیر است:



وقفه INT1، ۴ بار در ثانیه و وقفه، INT2، ۲ بار در ثانیه رخ می‌دهد. زمان اجرای روتین‌های سرویس وقفه‌های INT1، INT2، INT3 و INT4 به ترتیب ۲۵، ۵۰، ۲۰۰ و ۱۲۰ میلی‌ثانیه است. بیشترین تأخیری که در اجرای INT3 ممکن است رخ دهد، چند میلی‌ثانیه است؟

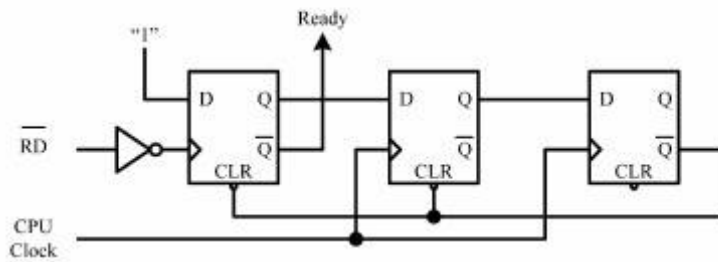
۷۵ (۱)

۱۵۰ (۲)

۱۷۵ (۳)

۲۰۰ (۴)

۹۳- مدار زیر برای یک سیستم میکروپروسسوری در نظر گرفته شده است. این مدار چه عملی انجام می دهد؟



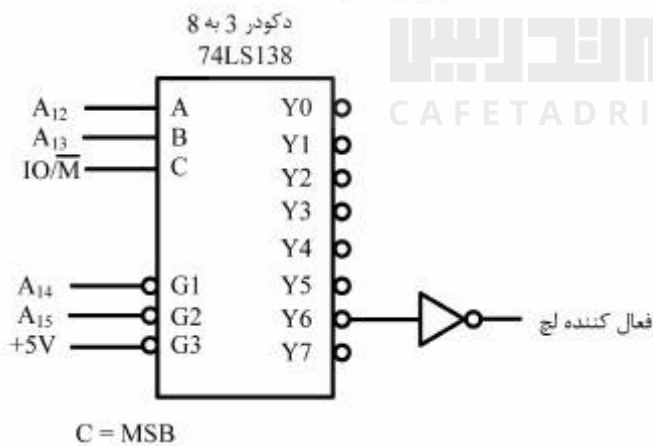
- (۱) عدد ۱ Wait State ایجاد می کند.
 (۲) عدد ۲ Wait State ایجاد می کند.
 (۳) عدد ۳ Wait State ایجاد می کند.
 (۴) CPU را Reset می کند.

۹۴- پس از انجام دستورات زیر، چه عددی در رجیستر A و بیت نقلی قرار می گیرد؟

MOV A, 45h
 MOV B, 37h
 ADD A, B
 DAA

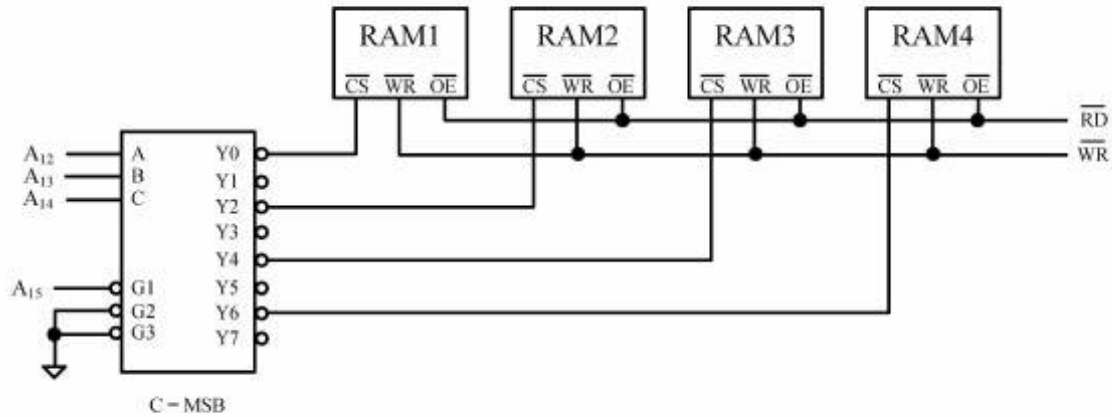
- (۱) $A = 82H$ و $C = 1$
 (۲) $A = 82H$ و $C = 0$
 (۳) $A = 7CH$ و $C = 0$
 (۴) $A = 8CH$ و $C = 0$

۹۵- چراغ های یک چهارراه را با یک لچ کنترل می کنیم. باتوجه به مدار دکودر آدرس زیر، سیستم بر مبنای آدرس دهی Memory Mapped است یا I/O Mapped؛ و آدرس لچ فرمان چیست؟



- (۱) بر اساس Memory Mapped I/O، آدرس = 60H
 (۲) بر اساس Memory Mapped I/O، آدرس = 20H
 (۳) بر اساس I/O Mapped I/O، آدرس = 60H
 (۴) بر اساس I/O Mapped I/O، آدرس = 20H

۹۶- در مدار زیر، ریزپردازنده در آدرس AF4E H عددی را می نویسد. این عدد در کدام حافظه نوشته خواهد شد؟



- RAM1 (۱)
- RAM3 (۲)
- RAM2 (۳)
- RAM4 (۴)

۹۷- جدول جریان زیر را در نظر بگیرید. در این جدول چند سبقت بحرانی (Critical Race) وجود دارد، آنها کدام اند؟

| | | x_1x_0 | | | |
|----------|------|----------|-----|-----|-----|
| | | 00 | 01 | 11 | 10 |
| y_1y_0 | 00 A | (A) | B | (A) | C |
| | 01 B | D | (B) | (B) | C |
| | 11 C | A | (C) | B | (C) |
| | 10 D | (D) | B | (D) | C |

کافه تدریس
CAFETADRIS

(۱) ۲ تا، $x_1x_0y_1y_0 = 0101 \rightarrow 0001$

$x_1x_0y_1y_0 = 1100 \rightarrow 1000$

(۲) ۲ تا، $x_1x_0y_1y_0 = 1110 \rightarrow 0110$

$x_1x_0y_1y_0 = 1011 \rightarrow 1111$

(۳) ۴ تا، $x_1x_0y_1y_0 = 0101 \rightarrow 0001$

$x_1x_0y_1y_0 = 0111 \rightarrow 0011$

$x_1x_0y_1y_0 = 0010 \rightarrow 0110$

$x_1x_0y_1y_0 = 1110 \rightarrow 0110$

(۴) ۳ تا، $x_1x_0y_1y_0 = 0101 \rightarrow 0001$

$x_1x_0y_1y_0 = 0111 \rightarrow 0011$

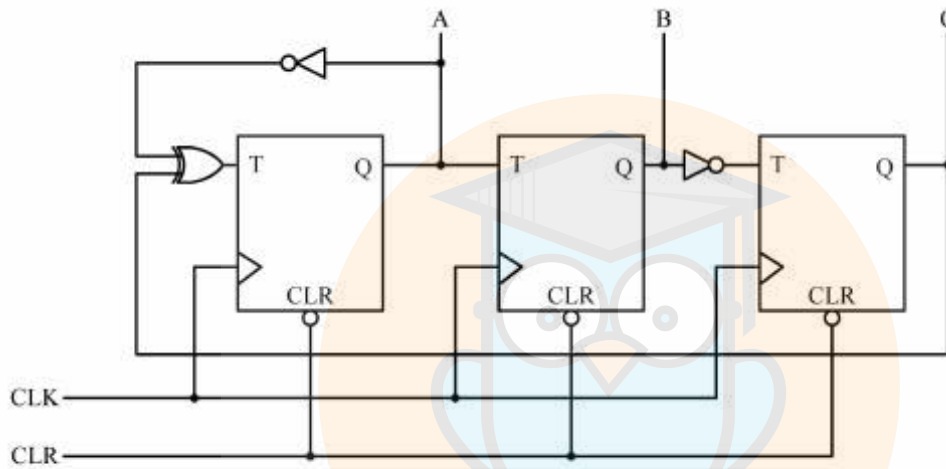
$x_1x_0y_1y_0 = 0010 \rightarrow 0110$

۹۸- تابع چهار متغیره $F(A, B, C, D)$ دارای چند هাজার است؟

$$F(A, B, C, D) = \overline{A}B\overline{C} + ABC + BCD + A\overline{C}D$$

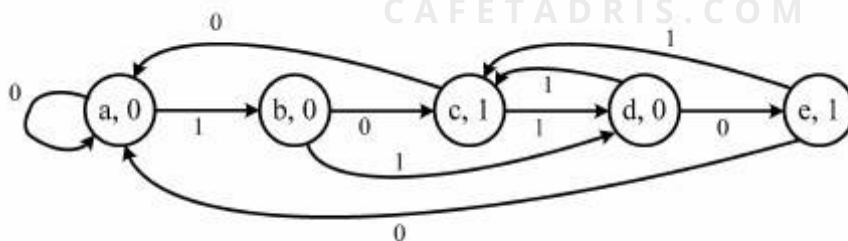
- ۰ (۱)
- ۱ (۲)
- ۲ (۳)
- ۳ (۴)

۹۹- شمارنده CBA، به کدام صورت شمارش می کند؟ (شمارش از صفر شروع می شود و $A = \text{LSB}$ است.)



- ۰ → ۵ → ۲ → ۳ → ۱ → ۷ → ۴ → ۰ (۱)
- ۰ → ۵ → ۳ → ۱ → ۷ → ۲ → ۶ → ۰ (۲)
- ۰ → ۴ → ۲ → ۳ → ۵ → ۶ → ۷ → ۰ (۳)
- ۰ → ۳ → ۵ → ۴ → ۷ → ۶ → ۲ → ۰ (۴)

۱۰۰- دیاگرام حالت ماشینی به صورت زیر است.



اگر ابتدای کار، ماشین در حالت a باشد و ورودی ها به صورت 10110010 باشند، کدام خروجی صحیح است؟

- 0 0 1 0 1 0 0 0 1 (۱)
- 1 0 1 1 0 0 0 1 0 (۲)
- 1 0 1 0 1 0 1 0 0 (۳)
- 1 0 0 1 0 0 1 1 0 (۴)

۱۰۱- اگر رابطه بین توابع f_1 ، f_2 و f_3 به صورت زیر باشد:

$$f_3 = f_1 \oplus f_2$$

$$f_3 = \sum m(2, 3, 4, 5, 7, 10, 15)$$

$$f_1 = \prod M(2, 4, 6, 7, 9, 12, 13, 14)$$

تابع f_2 کدام است؟

$$f_2 = \sum m(3, 5, 6, 9, 10, 12, 13, 14, 15) \quad (۱)$$

$$f_2 = \sum m(0, 1, 2, 4, 7, 8, 11) \quad (۲)$$

$$f_2 = \sum m(3, 5, 10, 15) \quad (۳)$$

$$f_2 = \sum m(2, 4, 7) \quad (۴)$$

۱۰۲- مابین عدد ۱۱۰ در مبنای ۷ و عدد ۱۱۰ در مبنای ۸، چند عدد در مبنای ده وجود دارد؟

(۱) صفر

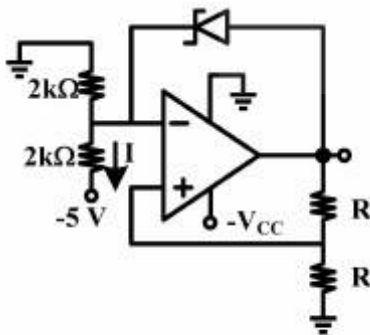
(۲) یک

(۳) ۱۵

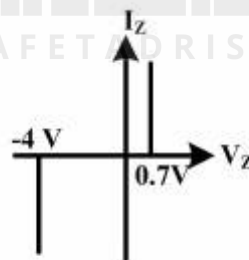
(۴) ۱۶

الکترونیک ۱ و ۲:

۱۰۳- در مدار زیر، با توجه به مشخصه دیود زنر، جریان I_z چند میلی آمپر است؟



www.cafetadris.com



(۱) $1/25$

(۲) -0.5

(۳) 0.5

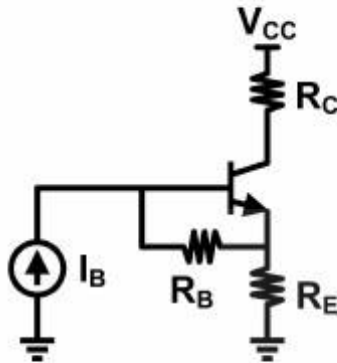
(۴) $1/25$

۱۰۴- در مدار زیر، ترانزیستور در ناحیه فعال است و β بین دو مقدار β_1 و β_2 تغییر می‌کند؛ به طوری که $\beta_1 < \beta < \beta_2$.
 آنگاه اختلاف V_{CE} در دو حالت، برابر کدام یک خواهد بود؟ ($V_{CE_1} - V_{CE_2} = ?$)

$$R_C = R_E = R_B$$

$$R_B I_B = 1V$$

$$V_{BE} = 0.7V$$



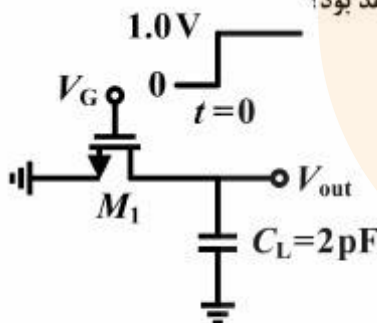
(۱) $0.6(\beta_2 - \beta_1)$

(۲) $0.6(\beta_1 - \beta_2)$

(۳) $\beta_2 - \beta_1$

(۴) $\beta_1 - \beta_2$

۱۰۵- در مدار زیر، ولتاژ اولیه ذخیره شده در خازن C_L یک ولت است و در لحظه $t = 0$ ولتاژ V_G از صفر به یک ولت تغییر می‌کند. بعد از گذشت ۱ نانوثانیه، ولتاژ خروجی V_{out} ، چند ولت خواهد بود؟



$$\mu_n C_{ox} (W/L) = 8 \text{ mA/V}^2$$

$$V_{TH} = 0.5V$$

$$V_A = \infty$$

(۱) ۰

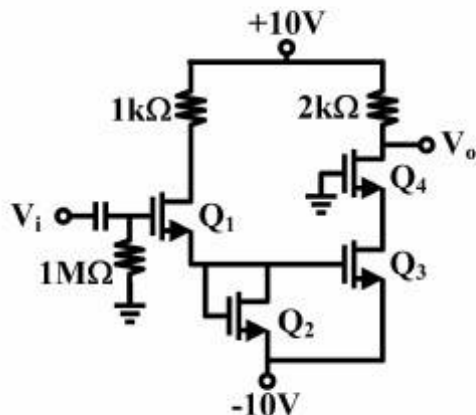
(۲) ۰.۲۵

(۳) ۰.۵

(۴) ۰.۷۵

۱۰۶- ترانزیستورهای مدار زیر، مشابه با مشخصات آن‌ها به شرح زیر است:

$$V_{T1} = 2V, \mu_n C_{ox} \left(\frac{W}{L}\right) = 2 \frac{\text{mA}}{\text{V}^2}, r_o = \infty$$



بهره ولتاژ $A_V = \frac{V_o}{V_i}$ ، کدام است؟

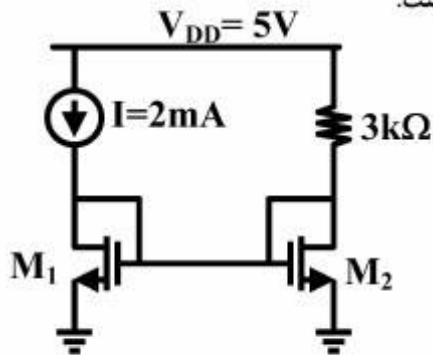
(۱) -۱۶

(۲) -۸

(۳) -۴

(۴) -۲

۱۰۷- در مدار زیر، نسبت $\frac{W}{L}$ ترانزیستور M_2 ، دو برابر نسبت $\frac{W}{L}$ ترانزیستور M_1 می‌باشد. جریان ترانزیستور M_1 چند میلی‌آمپر است؟ فرض کنید V_{GS} ترانزیستور M_1 برابر ۲ ولت است.

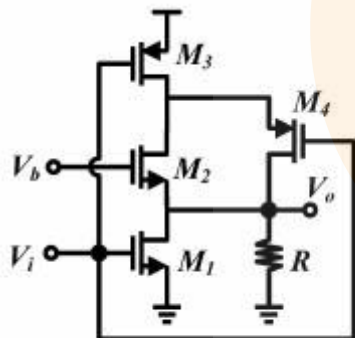


- (۱) $\frac{2}{3}$
- (۲) $\frac{4}{3}$
- (۳) ۱
- (۴) ۲

۱۰۸- مقدار بهره در مدار زیر، کدام است؟

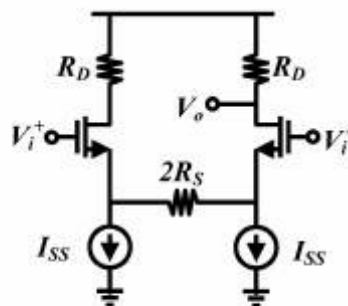
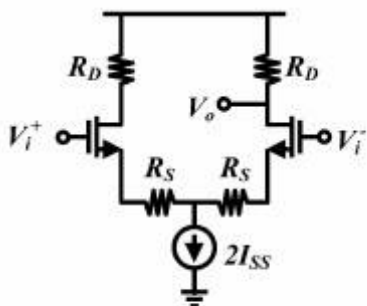
$$g_{m1} = g_{m2} = g_{m3} = g_{m4} = g$$

$$r_{o1} = r_{o2} = r_{o3} = r_{o4} = \infty$$



- (۱) $-8gR$
- (۲) $-4gR$
- (۳) $-2gR$
- (۴) $-gR$

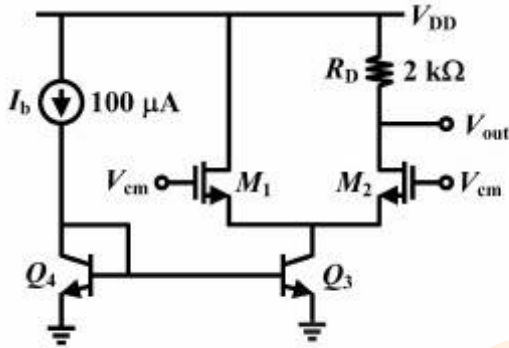
۱۰۹- در دو مدار زیر، منابع جریان غیرایده‌آل هستند. به طوری که منبع جریان I_{SS} دارای مقاومت R_2 و منبع جریان $2I_{SS}$ دارای مقاومت R_1 است. به ازای کدام گزینه، بهره حالت مشترک دو مدار باهم برابر می‌شود؟



- (۱) $R_T = 2R_1 + R_S$
- (۲) $R_T = R_1 + R_S$
- (۳) $R_T = \frac{R_1}{2} + R_S$
- (۴) $R_T = R_S$

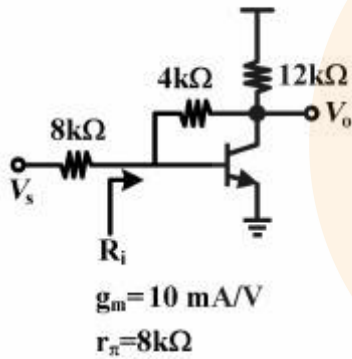
۱۱۰- در مدار زیر، همه ترانزیستورها در ناحیه فعال بایاس شده‌اند و منبع جریان I_b ایدئال است. مقدار بهره ولتاژ حالت

مشترک $A_{cm} = \frac{V_{out}}{V_{cm}}$ آن، تقریباً برابر کدام است؟



- $M_{1,2}: V_A = \infty$ (۱) ۰/۰۲۵
 $(W/L)_1 = 3(W/L)_2$ (۲) ۰/۰۵
 $V_{GS} - V_{TH} = 0.2 \text{ V}$ (۳) ۰/۰۷۵
 $Q_{3,4}: V_A = 10 \text{ V}$ (۴) ۰/۱
 $V_T = 25 \text{ mV}$
 $\beta = 100$
 $A_{E3} = 10 A_{E4}$

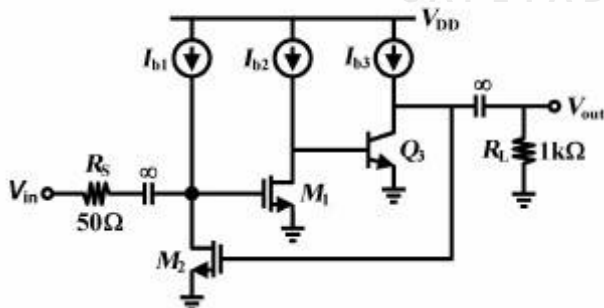
۱۱۱- در مدار زیر، مقدار R_i برحسب اهم به کدام گزینه نزدیک تر است؟



- (۱) ۳۵
 (۲) ۶۵
 (۳) ۱۲۵
 (۴) ۱۸۵

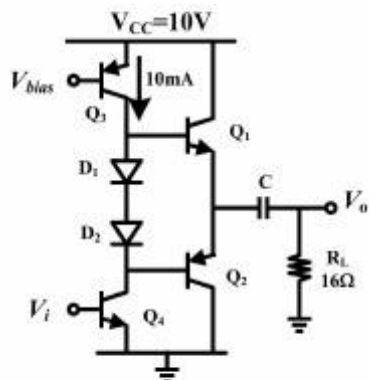
۱۱۲- در مدار زیر، همه ترانزیستورها در ناحیه فعال بایاس شده و منابع جریان ایدئال هستند. به ازای چه مقداری از g_{m2}

برحسب میلی آمپر بر ولت، مقدار بهره ولتاژ $A_V = \frac{V_{out}}{V_{in}}$ آن تقریباً برابر با پنج خواهد بود؟



- (۱) $V_A = \infty$
 (۲) $g_{m1} = 10 \text{ mA/V}$
 (۳) $g_{m2} = ?$
 (۴) $g_{m3} = 20 \text{ mA/V}$
 $\beta = 100$

۱۱۳- در مدار زیر، اندازه خازن را بزرگ فرض کنید. اگر سیگنال خروجی سینوسی باشد، حداکثر توان قابل تحویل به R_L در این تقویت کننده، به کدام گزینه نزدیک تر است؟



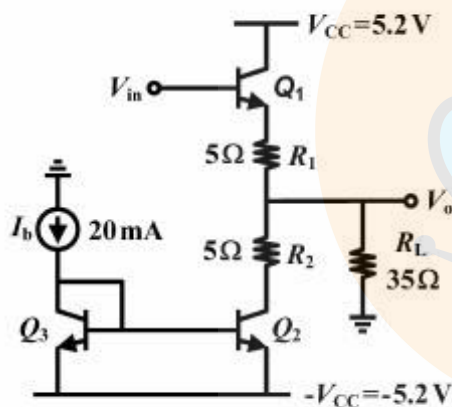
$$V_{BEon} = 0.7V$$

$$V_{CEsat} = 0.3V$$

$$\beta = 100$$

- (۱) $0.5W$
- (۲) $1W$
- (۳) $2W$
- (۴) $2.5W$

۱۱۴- در مدار زیر، مساحت پیوند بیس - امیتر ترانزیستورهای Q_1 و Q_2 ده برابر مساحت پیوند بیس - امیتر ترانزیستور Q_3 است. مقدار توان متوسط تلف شده در ترانزیستور Q_1 در حالتی که خروجی حداکثر دامنه متقارن را دارد، چند وات است؟



$$V_A = \infty$$

$$V_{CE,sat} = 0.2V$$

$$V_{BE,on} = 0.7V$$

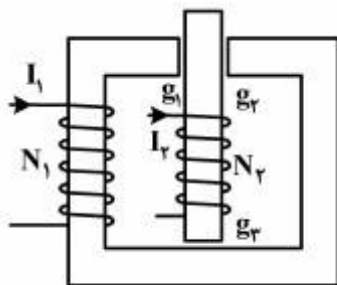
$$A_{E1,2} = 10, A_{E3}$$

$$\beta \gg 1$$

- (۱) 0.64
- (۲) 0.84
- (۳) 0.865
- (۴) 1.04

ماشین های الکتریکی ۱ و ۲:

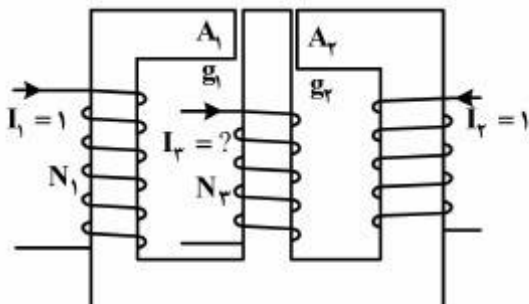
۱۱۵- سطح مقطع هسته در تمام قسمت های مدار مغناطیسی داده شده یکسان است. طول هر یک از فواصل هوایی وسط هسته به موازات خود به اندازه g به سمت چپ حرکت داده شود، $(g_1 = 0.5g, g_2 = 1.5g, g_3 = g)$ ، مقدار جدید L_{12} چقدر می شود؟ از افت آمپر دور در هسته چشم پوشی می شود.



- (۱) $\frac{24}{11}M$
- (۲) $\frac{18}{11}M$
- (۳) $\frac{12}{11}M$
- (۴) $\frac{6}{11}M$

۱۱۶- در مدار مغناطیسی داده شده $N_1 = 300$ ، $N_2 = 500$ و $N_3 = 350$ دور است. همچنین، $g_1 = \sqrt{2}g_2$.

به ازای چه مقدار I_3 ، فلوی گذرنده از ستون وسط صفر می‌شود؟ از افت



آمپر دور در هسته، چشم‌پوشی می‌شود.

(۱) $-\frac{2}{3}$

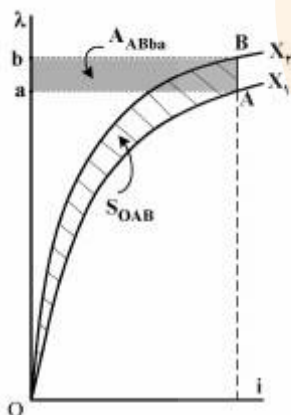
(۲) $-\frac{2}{2}$

(۳) $\frac{2}{3}$

(۴) $\frac{3}{2}$

۱۱۷- مشخصه‌های $\lambda - i$ یک میدل الکترومکانیکی به ازای دو مقدار مختلف X_1 و X_2 در شکل زیر داده شده است.

قسمت متحرک با جریان ثابت نشان داده شده، از موقعیت X_1 به X_2 حرکت می‌کند (یا حرکت داده می‌شود). در این شکل، $S_{OAB} > S_{ABba}$ است. S_{OAB} و S_{ABba} مساحت‌های قسمت‌های نشان داده شده در شکل هستند. کدام گزینه به ماهیت این تبدیل انرژی نزدیک‌تر است؟



- (۱) انرژی الکتریکی به انرژی مکانیکی تبدیل شده و انرژی ذخیره شده در میدان کاهش یافته است.
- (۲) انرژی الکتریکی به انرژی مکانیکی تبدیل شده و انرژی ذخیره شده در میدان افزایش یافته است.
- (۳) انرژی مکانیکی به انرژی الکتریکی تبدیل شده و انرژی ذخیره شده در میدان کاهش یافته است.
- (۴) انرژی مکانیکی به انرژی الکتریکی تبدیل شده و انرژی ذخیره شده در میدان افزایش یافته است.

۱۱۸- مشخصه بی‌باری یک موتور DC شنت در سرعت 1800 rpm ، به صورت جدول زیر است.

| | | | | | |
|-----------|-----|-----|-----|-----|-----|
| E_a [V] | ۸٫۵ | ۱۴۰ | ۲۰۰ | ۲۲۵ | ۲۴۵ |
| I_f [A] | ۰ | ۰٫۵ | ۱ | ۱٫۵ | ۲ |

موتور در حالت بی‌باری و با ولتاژ 240 V کار می‌کند. مقاومت سیم‌پیچی میدان شنت 160 ohm است. یک رنوستای تنظیم سرعت، که مقاومت آن از صفر تا 80 ohm قابل تغییر است، در مسیر میدان شنت قرار داده می‌شود. بازه سرعت بی‌باری موتور با استفاده از این رنوستا کدام است؟ n سرعت موتور بر حسب rpm است.

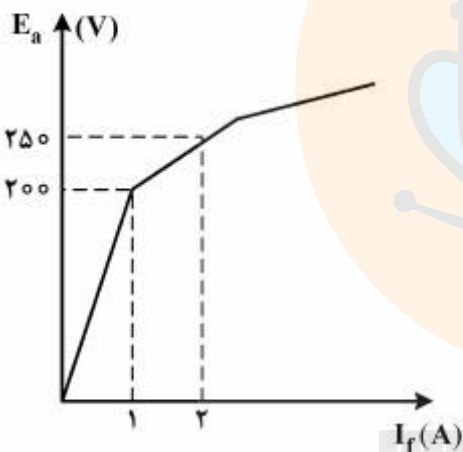
(۱) $1687.5 \leq n \leq 1920$

(۲) $1500 \leq n \leq 1687.5$

(۳) $1920 \leq n \leq 2160$

(۴) $2160 \leq n \leq 2430$

۱۱۹- مشخصه بی‌باری یک ژنراتور شنت DC در سرعت نامی به صورت زیر است. مقاومت تحریک 50 ohm و مقاومت آرمیچر یک اهم است. حداکثر تلفات مس (شامل تلفات میدان و آرمیچر) در این ماشین، چند کیلووات است؟ از واکنش آرمیچر صرف‌نظر می‌شود.



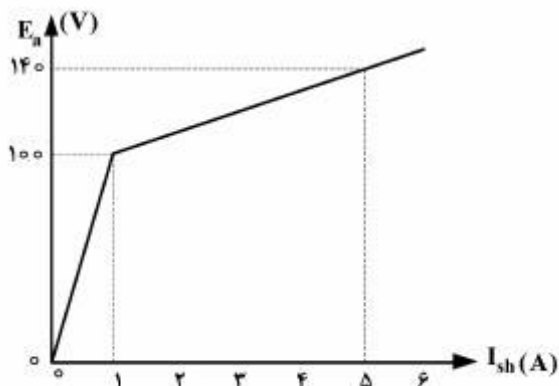
(۱) 15.4

(۲) 15.9

(۳) 22.1

(۴) 22.7

۱۲۰- مشخصه یک ژنراتور شنت در سرعت n_0 داده شده است. مقاومت آرمیچر یک اهم و مقاومت میدان شنت 35 ohm است. این ژنراتور با سرعت $1/5 n_0$ چرخانده می‌شود. اگر مقاومت بار چنان تنظیم شود که جریان آرمیچر برابر 15 A آمپر شود، ولتاژ دو سر بار چند ولت می‌شود؟ از اثر عکس‌العمل آرمیچر چشم‌پوشی می‌شود.



(۱) 195

(۲) 210

(۳) 225.5

(۴) 236.25

۱۲۱- دو ترانسفورماتور با kVAهای یکسان که ۵ درصد بین امپدانس‌های آنها اختلاف است، موازی کار می‌کنند، kVA مجاز

این مجموعه نسبت به kVA کل ترانسفورماتورها، چند درصد است؟ نسبت $\frac{R}{X}$ هر دو ترانسفورماتور یکسان است.

(۱) ۹۲/۵

(۲) ۹۵

(۳) ۹۷

(۴) ۹۷/۵

۱۲۲- حداکثر تنظیم ولتاژ یک ترانسفورماتور تک‌فاز، برابر ۵٪ و تنظیم ولتاژ صفر آن در ضرب‌توان ۰/۸ اتفاق می‌افتد.

اگر تلفات مسی در بار کامل برابر ۱۵۰ W باشد، kVA نامی ترانسفورماتور چقدر است؟ از شاخه تحریک صرف‌نظر می‌شود.

(۱) ۳/۷۵

(۲) ۵

(۳) ۷/۵

(۴) ۱۰

۱۲۳- یک ترانسفورماتور تک‌فاز زیر یک بار با ولتاژ ۲۲۰ V و فرکانس ۵۰ Hz کار می‌کند و تلفات کل، تلفات هیستریزس

و تلفات ناشی از جریان‌های فوکو آن به ترتیب برابر ۸۱۲/۵ W، ۳۰۰ W و ۲۰۰ W می‌شود. زیر یک بار دیگر این ترانسفورماتور با ولتاژ ۲۲۰ V و فرکانس ۶۰ Hz، تغذیه شده و راندمان ماکزیمم حاصل می‌شود. نسبت جریان ترانسفورماتور در فرکانس ۶۰ Hz به جریان ترانسفورماتور در فرکانس ۵۰ Hz، کدام است؟ تلفات هیستریزس با مجذور چگالی فلو، متناسب است.

(۱) ۱/۱

(۲) ۱/۲

(۳) ۱/۲۵

(۴) ۱/۴۴

۱۲۴- معادله زمانی جریان هر فاز روتور یک موتور القایی سه‌فاز ۵۰ Hz به صورت $i_r(t) = 10\sqrt{2} \sin(4\pi t + \phi)$

(برحسب آمپر) بیان می‌شود. تحت این شرایط تلفات مکانیکی موتور برابر ۱۲۰ W و توان خروجی برابر ۹۹۶۰ وات است. مقاومت روتور ماشین چند اهم بر فاز است؟

(۱) ۰/۷

(۲) ۱/۴

(۳) ۲/۱

(۴) ۴/۲

۱۲۵- در یک ماشین القایی با روتور سیم پیچی شده در مورد تعداد قطب‌ها و تعداد فاز سیم پیچ‌های روتور و استاتور، کدام گزینه صحیح است؟

- (۱) تعداد قطب‌ها و همچنین تعداد فازهای سیم پیچ‌های روتور و استاتور باید برابر باشد.
- (۲) تعداد قطب‌های سیم پیچ‌های روتور و استاتور باید برابر باشد ولی تعداد فازها می‌تواند یکسان نباشد.
- (۳) تعداد فازهای سیم پیچ‌های روتور و استاتور باید برابر باشد ولی تعداد قطب‌ها می‌تواند یکسان نباشد.
- (۴) تعداد قطب‌ها و فازهای سیم پیچ‌های روتور و استاتور می‌تواند متفاوت باشد.

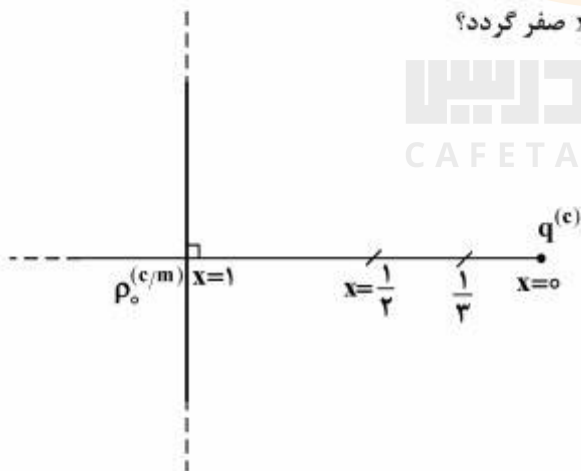
۱۲۶- در یک ماشین القایی سه فاز قفس سنجابی، اگر به جای قفس آلومینیومی از قفس مسی با همان ابعاد استفاده شود، به ترتیب گشتاور ماکزیمم، گشتاور راه‌اندازی، سرعت حالت دائمی و جریان راه‌اندازی، چگونه تغییر می‌کند؟ مقاومت مخصوص مس کمتر از مقاومت مخصوص آلومینیوم است.

| | گشتاور ماکزیمم | گشتاور راه‌اندازی | سرعت حالت دائمی | جریان راه‌اندازی |
|-----|----------------|-------------------|-----------------|------------------|
| (۱) | ثابت | کم | افزایش | افزایش |
| (۲) | ثابت | افزایش | کاهش | کاهش |
| (۳) | کاهش | کاهش | افزایش | کاهش |
| (۴) | کاهش | افزایش | کاهش | افزایش |

الکترومغناطیس:

۱۲۷- طبق شکل زیر، یک بار نقطه‌ای $q(c)$ در مبدأ و در $x = 1(m)$ یک بار خطی نامحدود، با چگالی یکنواخت $\rho_0 \left(\frac{c}{m}\right)$ عمود بر محور x قرار گرفته است. میدان الکتریکی در نقطه میانی $x = \frac{1}{3}(m)$ ، خط واصل بار q به بار خطی، صفر

می‌شود. بار q چقدر تغییر کند تا میدان در $x = \frac{1}{3}(m)$ صفر گردد؟



(۱) باید $\frac{1}{3}$ شود.

(۲) باید $\frac{2}{3}$ شود.

(۳) باید $\frac{3}{2}$ برابر شود.

(۴) باید ۳ برابر شود.

۱۲۸- حلقه سیمی به شعاع R ، جریان I را حمل می‌کند. حلقه در صفحه $Z=0$ به مرکز مبدأ مختصات قرار گرفته است. کره کوچکی به شعاع $a \ll R$ از جنس مغناطیس با نفوذپذیری نسبی μ_r در مرکز حلقه قرار دارد. ممان دیپل مغناطیسی کره که از میدان مغناطیسی جریان حلقه ناشی می‌شود، کدام است؟

$$\vec{m} = \frac{4(\mu_r - 1)\pi a^3 I}{\mu_r + 2} \vec{a}_z \quad (1)$$

$$\vec{m} = \frac{2(\mu_r - 1)\pi a^3 I}{\mu_r + 1} \vec{a}_z \quad (2)$$

$$\vec{m} = \frac{2(\mu_r - 1)\pi a^3 I}{\mu_r + 2} \vec{a}_z \quad (3)$$

$$\vec{m} = \frac{4(\mu_r - 1)\pi a^3 I}{\mu_r + 1} \vec{a}_z \quad (4)$$

۱۲۹- یک دیپل الکتریکی با ممان $\vec{P}_1 = P_1 \vec{a}_z$ در مبدأ مختصات قرار دارد. دیپل الکتریکی دیگری با ممان $\vec{P}_2 = P_2 \vec{a}_z$ روی محور $+Z$ در فاصله r از مبدأ واقع شده است. نیروی بین دو دیپل، کدام است؟

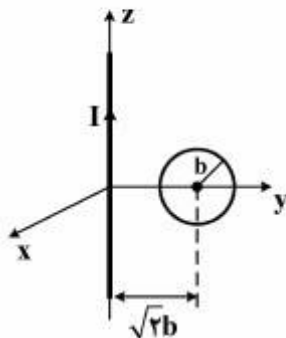
$$F_r = \frac{2 P_1 P_2}{4\pi \epsilon_0 r^3} \quad (1)$$

$$F_r = \frac{2 P_1 P_2}{\pi \epsilon_0 r^3} \quad (2)$$

$$F_r = -\frac{2 P_1 P_2}{4\pi \epsilon_0 r^3} \quad (3)$$

$$F_r = -\frac{2 P_1 P_2}{\pi \epsilon_0 r^3} \quad (4)$$

۱۳۰- یک حلقه سیم دایروی در مجاورت یک سیم طویل حامل جریان I (مطابق شکل) قرار دارد. در صورتی که جریان سیم طویل به طور آبی صفر شود، جریان القایی در حلقه دایروی، کدام است؟ (فرض کنید سلف خودی حلقه L باشد)



$$\frac{\mu_0 b}{L} (2\sqrt{2} - 1) I \quad (1)$$

$$\frac{\mu_0 b}{L} (\sqrt{2} - 1) I \quad (2)$$

$$\frac{\mu_0 b}{L} (2\sqrt{2} - 1) I \quad (3)$$

$$\frac{\mu_0 b}{L} (\sqrt{2} - 1) I \quad (4)$$

۱۳۱- بار نقطه‌ای Q در خلأ به فاصله x از یک محیط نیمه‌بینهایت دی‌الکتریک با ثابت نسبی ϵ_r قرار گرفته است. سطح دی‌الکتریک در صفحه $z=0$ و بار روی محور z می‌باشد. نیروی وارد بر بار Q، کدام است؟

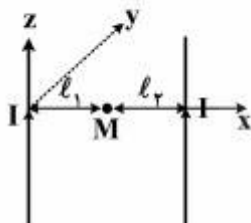
$$F_z = \frac{(1+\epsilon_r)Q^2}{16\pi(1-\epsilon_r)\epsilon_0 x^2} \quad (1)$$

$$F_z = \frac{(1-\epsilon_r)Q^2}{16\pi(1+\epsilon_r)\epsilon_0 x^2} \quad (2)$$

$$F_z = \frac{(1-\epsilon_r)Q^2}{4\pi(1+\epsilon_r)\epsilon_0 x^2} \quad (3)$$

$$F_z = \frac{(1+\epsilon_r)Q^2}{4\pi(1-\epsilon_r)\epsilon_0 x^2} \quad (4)$$

۱۳۲- دو سیم راست موازی بی‌نهایت‌طول با جریان‌های مساوی و هم‌جهت I مفروض است. در نقطه M که از سیم‌ها فاصله ℓ_1 و ℓ_2 دارد، اختلاف پتانسیل مغناطیسی اسکالر، کدام است؟



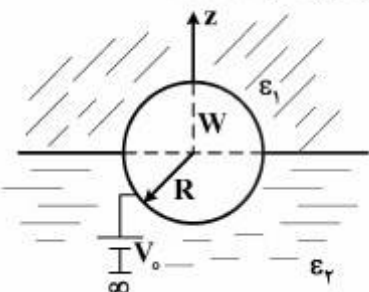
$$\frac{I}{2} \left(\frac{1}{\ell_1} - \frac{1}{\ell_2} \right) \quad (1)$$

$$\frac{I\pi}{2} \left(\frac{1}{\ell_1} - \frac{1}{\ell_2} \right) \quad (2)$$

$$\frac{I\pi}{2} \quad (3)$$

$$\frac{I}{2} \quad (4)$$

۱۳۳- یک کره رسانا به شعاع R به صورت متقارن بین دو نیم‌فضای عایقی با گذردهی ϵ_1, ϵ_2 قرار گرفته است. اگر کره به پتانسیل V_0 نسبت به بی‌نهایت متصل شود، چه نیروی الکترواستاتیکی به کره وارد خواهد شد؟



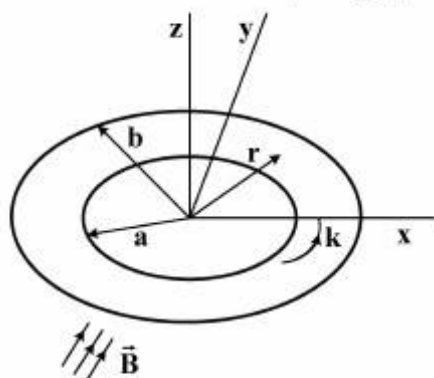
$$\frac{\pi}{2} (\epsilon_1 - \epsilon_2) V_0^2 \hat{a}_z \quad (1)$$

$$(\epsilon_2 - \epsilon_1) V_0^2 \hat{a}_z \quad (2)$$

$$\frac{1}{4} (\epsilon_1 - \epsilon_2) V_0^2 \hat{a}_z \quad (3)$$

$$\frac{\pi}{4} (\epsilon_2 - \epsilon_1) V_0^2 \hat{a}_z \quad (4)$$

۱۳۴- یک طوق به شعاع داخلی a و شعاع بیرونی b با چگالی سطحی جریان متغیر $\vec{k} = r\hat{a}_\phi$ در میدان مغناطیسی $\vec{B} = B_0(\hat{a}_x + 2\hat{a}_z)$ مطابق شکل زیر قرار دارد. انرژی ذخیره‌شده مغناطیسی، کدام است؟



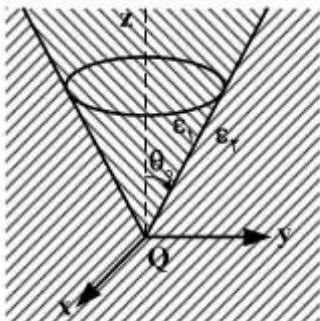
$$\frac{\pi}{2} (b^2 - a^2) B_0 \quad (1)$$

$$\frac{\pi}{2} (b^4 - a^4) B_0 \quad (2)$$

$$\frac{\pi}{2} (b^2 - a^2) B_0 \quad (3)$$

$$\frac{\pi}{2} (b - a) B_0 \quad (4)$$

۱۳۵- ناحیه $\theta < \theta_0$ از فضا را عایقی با ضریب نفوذپذیری ϵ_1 ، مطابق شکل زیر، پر کرده است. بقیه فضا با عایقی با ضریب نفوذپذیری ϵ_2 پر شده است. بار نقطه‌ای Q در رأس مخروط در مبدأ قرار دارد، میدان \vec{E} در درون مخروط $\theta < \theta_0$ ، کدام است؟



$$\vec{E} = \frac{Q}{2\pi r^2 ((\epsilon_1 - \epsilon_2) + (\epsilon_1 + \epsilon_2) \cos \theta_0)} \hat{a}_r \quad (1)$$

$$\vec{E} = \frac{Q}{2\pi r^2 ((\epsilon_1 + \epsilon_2) - (\epsilon_1 - \epsilon_2) \cos \theta_0)} \hat{a}_r \quad (2)$$

$$\vec{E} = \frac{Q}{4\pi r^2 \epsilon_1} \hat{a}_r \quad (3)$$

$$\vec{E} = \frac{Q}{4\pi r^2 (\epsilon_1 + \epsilon_2)} \quad (4)$$

۱۳۶- یک حلقه دایروی با شعاع داخلی a و شعاع خارجی b و چگالی بار سطحی $\sigma = \sigma_0 \left(\frac{a}{r}\right)^2$ ، $a < r < b$ با سرعت زاویه‌ای ω حول محور حلقه در حال چرخش است. اندازه چگالی شار مغناطیسی روی مرکز حلقه $(r=0)$ ، کدام است؟

$$\frac{\mu_0 \omega \sigma_0}{2} \left(1 - \frac{a^2}{b^2}\right) \quad (1)$$

$$\frac{\mu_0 \omega \sigma_0 a^2}{4\pi} \ln\left(\frac{b}{a}\right) \quad (2)$$

$$\frac{\mu_0 \omega \sigma_0 a^2}{2} \left(\frac{1}{a} - \frac{1}{b}\right) \quad (3)$$

$$\frac{\mu_0 \omega \sigma_0 a}{2} \ln\left(\frac{b}{a}\right) \quad (4)$$

۱۳۷- حلقه سیمی با شعاع a و جرم m ، جریان I را حمل می‌کند. محور حلقه عمود بر یک صفحه هادی کامل و ارتفاع آن از صفحه $x \ll a$ می‌باشد. نیروی وارد بر کل حلقه کدام است؛ و با تساوی این نیرو با وزن حلقه، ارتفاع تعادل حلقه از صفحه هادی کامل (x) ، با کدام رابطه تعیین می‌شود؟

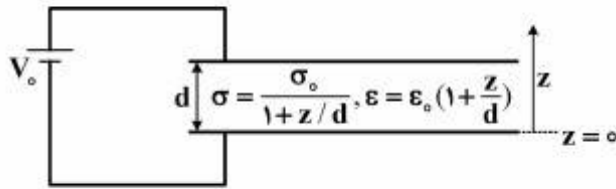
$$x = \frac{\mu_0 I^2 a}{2mg} \quad (1)$$

$$x = \frac{2\mu_0 I^2 a}{mg} \quad (2)$$

$$x = \frac{4\mu_0 I^2 a}{mg} \quad (3)$$

$$x = \frac{\mu_0 I^2 a}{4mg} \quad (4)$$

۱۳۸- مقدار چگالی بار سطحی مقید القا شده (ρ_{ps}) در $z = d$ ، برای ساختار زیر، کدام است؟



(۱) $\frac{4\epsilon_0 V_0}{rd}$

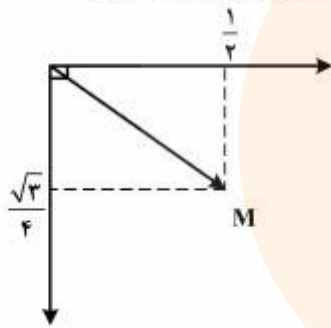
(۲) $\frac{2\epsilon_0 V_0}{rd}$

(۳) $-\frac{4\epsilon_0 V_0}{rd}$

(۴) $-\frac{8\epsilon_0 V_0}{rd}$

مقدمه‌ای بر مهندسی پزشکی:

۱۳۹- در شکل زیر، اگر M بردار قلب در لحظه‌ای از زمان باشد، کدام یک از گزینه‌های زیر درست است؟



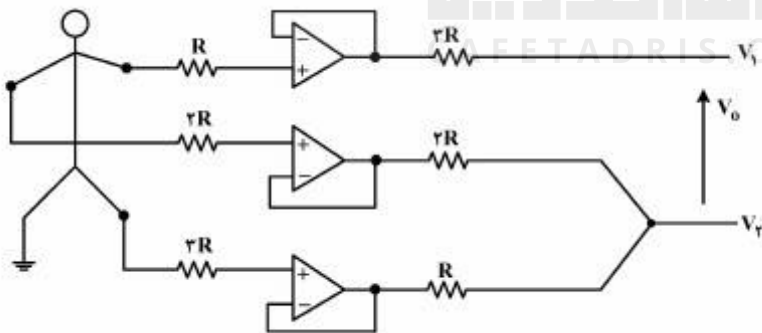
(۱) $aV_R + aV_L - aV_F = -\frac{\sqrt{3}}{2}$

(۲) $aV_R = \frac{9}{16}$

(۳) $aV_F = \frac{\sqrt{3}}{4}$

(۴) $aV_L = \frac{3}{16}$

۱۴۰- با توجه به شکل زیر، مقدار $V_0 = V_I - V_T$ برحسب لیدهای استاندارد ECG، کدام است؟



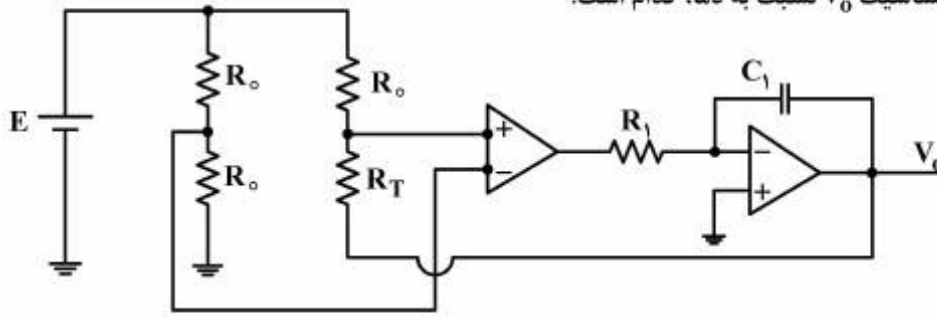
(۱) $\frac{I - III}{2}$

(۲) $\frac{I - 2 \times III}{3}$

(۳) $\frac{2 \times I - 2 \times III}{5}$

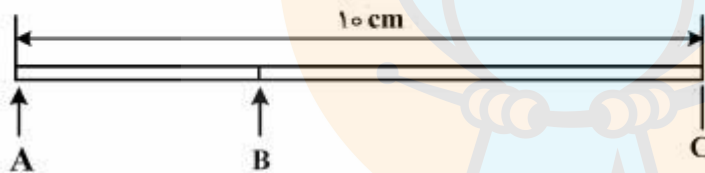
(۴) $\frac{2 \times I - III}{3}$

۱۴۱- در مدار زیر، R_T یک مقاومت متغیر با دماست؛ که مقاومت آن در دمای T از رابطه $R_T = R_o(1 + \alpha(T - T_o))$ به دست می آید. حساسیت V_o نسبت به دما، کدام است.



- (۱) $\frac{E\alpha R_o}{2\pi R_1 C_1}$
 (۲) $\frac{-E\alpha R_o}{2}$
 (۳) $-\frac{E\alpha}{2}$
 (۴) $\frac{E\alpha}{2\pi R_1 C_1}$

۱۴۲- در دو نقطه قطعه‌ای از آکسون یک سلول عصبی، دو محرک A و B را قرار داده‌ایم. اگر A و B در لحظه‌ای از زمان به‌طور هم‌زمان یک پالس تحریک ایجاد کنند، حداقل فاصله A و B چقدر باشد؛ تا در C دو پتانسیل عمل ایجاد شود؟ فرض کنید زمان تحریک‌ناپذیری سلول پس از تحریک ۱ میلی‌ثانیه و سرعت هدایت عصب $10 \frac{m}{s}$ باشد.



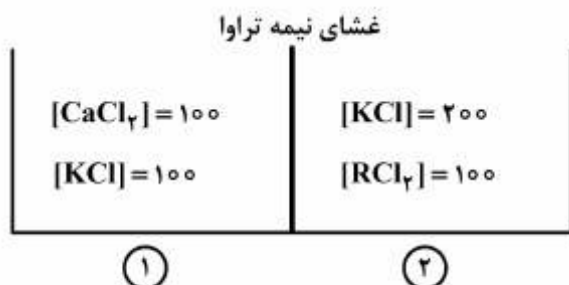
(۱) در نقطه C به هر حال دو پتانسیل عمل ایجاد می‌شود.

(۲) در نقطه C هرگز دو پتانسیل عمل ایجاد نمی‌شود.

(۳) $AB > 9 \text{ cm}$

(۴) $AB > 1 \text{ cm}$

۱۴۳- در شکل زیر غشای نیمه تراوا به یون‌های K^+ ، Cl^- و Ca^{++} نفوذپذیر، و به یون درشت R^{++} نفوذناپذیر است. در صورتی که غلظت‌های نشان داده شده در شکل، مربوط به قبل از تعادل باشند، در مورد غلظت یون‌ها، بعد از تعادل، گزینه نادرست کدام است؟



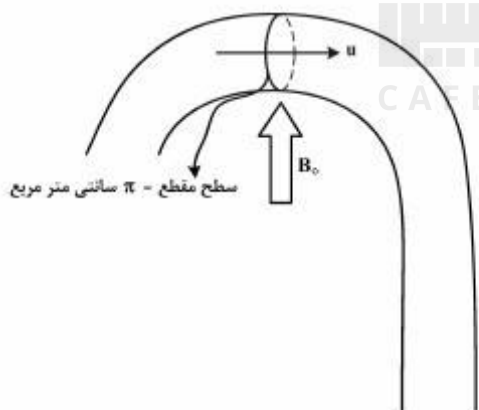
$$[Cl^-]_1 + [K^+]_2 = 500 \quad (1)$$

$$[K^+]_1 + 200 = [Cl^-]_1 + [Ca^{++}]_2 \quad (2)$$

$$2[K^+]_1 + [K^+]_2 + 2[Ca^{++}]_1 = [Cl^-]_1 + 300 \quad (3)$$

$$[K^+]_1 + 2[Ca^{++}]_1 + [K^+]_2 = [Cl^-]_1 + [Cl^-]_2 - 200 \quad (4)$$

۱۴۴- شکل زیر قوس آنورت را در شخصی که در یک اسکنر MRI با شدت میدان مغناطیسی ۱/۵ تسلا خوابیده است، نشان می‌دهد. این میدان موجب تفکیک یون‌های مثبت و منفی موجود در خون می‌گردد. پتانسیل حاصل از یون‌های تفکیک شده در عرض آنورت حداکثر تا چه حدی (برحسب میلی‌ولت) می‌تواند برسد؟ سطح مقطع آنورت را $\pi \text{ cm}^2$ و حداکثر سرعت خون در آن را $120 \frac{\text{cm}}{\text{s}}$ فرض کنید.



۴ (۱)

۹ (۲)

۱۸ (۳)

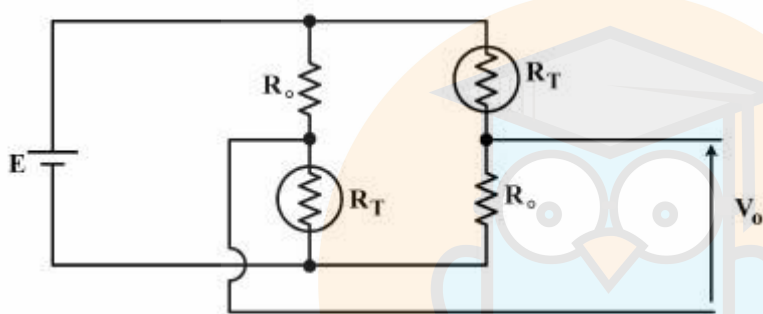
۳۶ (۴)

۱۴۵- در مورد مقایسه منحنی‌های الکتریکی و مکانیکی سیستم گردش خون، گزینه درست کدام است؟

- ۱) فقط زمان وقوع موج P و Q در سیگنال ECG، قبل از زمان بازشدن دریچه آنورت است.
- ۲) زمان وقوع موج P، Q، R و S در سیگنال ECG، قبل از زمان بازشدن دریچه آنورت است.
- ۳) زمان وقوع موج S و T در سیگنال ECG، پس از زمان بازشدن دریچه آنورت است.
- ۴) فقط زمان وقوع موج R در سیگنال ECG، هم‌زمان با بازشدن دریچه آنورت است.

۱۴۶- در مدار زیر، مقاومت‌های R_T از نوع NTC هستند؛ که در دمای 27°C دارای مقاومت R_o می‌باشند، (مقاومت‌های

R_o مقاومت‌های ثابت می‌باشند). در صورتی که تابع $\tanh(x)$ را بتوان در محدوده $-0.5 \leq x \leq 0.5$ خطی فرض کرد، محدوده دمایی که ولتاژ خروجی V_o به‌طور خطی با دما تغییر می‌کند، در محدوده چند درجه سانتی‌گراد است؟



$$R_T = R_o \exp\left(\beta\left(\frac{1}{T} - \frac{1}{T_o}\right)\right)$$

$$\beta = 3000 \text{ K}$$

$$-30 \leq T \leq 30 \quad (1)$$

$$-60 \leq T \leq 60 \quad (2)$$

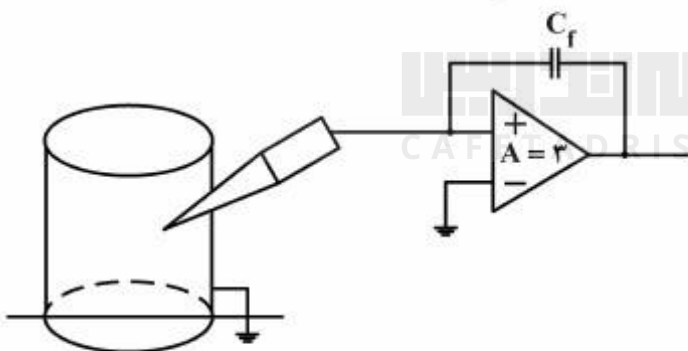
$$0 \leq T \leq 60 \quad (3)$$

$$0 \leq T \leq 30 \quad (4)$$

۱۴۷- اگر میکروالکتروود شکل زیر در مدار معادل خود مقاومت $314 \text{ k}\Omega$ و ظرفیت خازنی 0.06 nF را نشان دهد، و

بخواهیم فرکانس قطع مجموعه، 10 kHz باشد، مقدار خازن C_f باید چند پیکوفاراد باشد؟ (گین تقویت‌کننده

تفاضلی $A = 3$ و $\pi^2 = 10$ فرض شود).



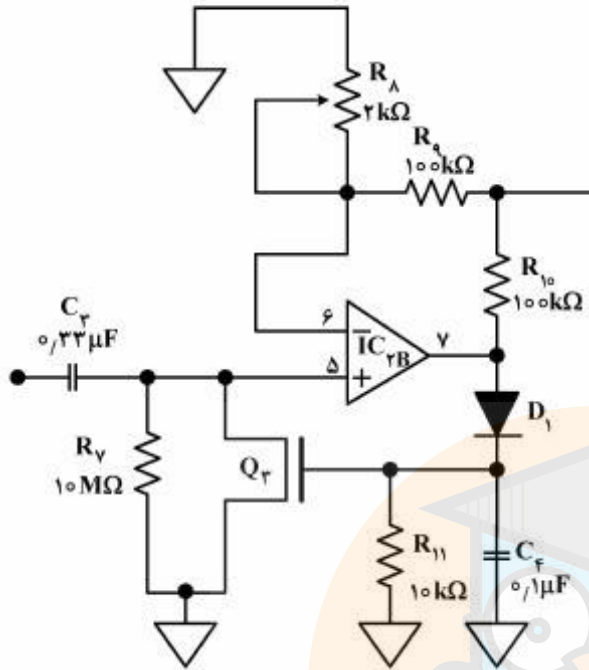
$$5 \quad (1)$$

$$7 \quad (2)$$

$$10 \quad (3)$$

$$14 \quad (4)$$

۱۴۸- شکل زیر بخشی از یک تقویت کننده سیگنال های حیاتی را نشان می دهد. مجموعه $(D_1 - C_f - R_{11} - Q_2)$ چه



نقشی را ایفا می کند؟

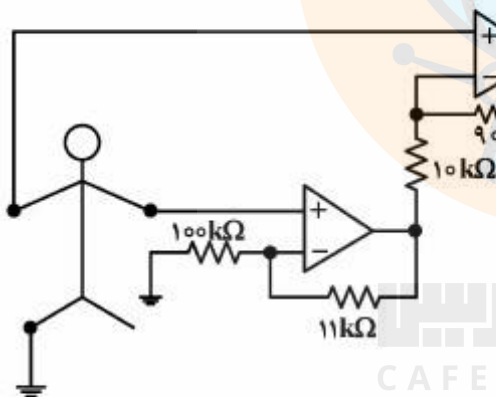
(۱) حذف آفت DC

(۲) تشخیص اشباع

(۳) فیلتر پایین گذر

(۴) یکسو کننده

۱۴۹- در مدار زیر، اگر نسبت سیگنال به نویز مد مشترک روی بدن سوژه -40 dB باشد، این نسبت در خروجی V_0



چند dB است؟

(۱) -20

(۲) -10

(۳) 10

(۴) 20

۱۵۰- اگر متوسط اختلاف فشار دو سمت دریچه آئورتی در زمان سیستول قلبی 8 kPa ، نرخ ضربان قلب 60 BPM ،

برون ده قلبی سوژه $6 \frac{\text{lit}}{\text{min}}$ و نسبت زمان سیستول به کل سیکل قلبی 0.3 باشد، سطح تقریبی دریچه آئورتی سوژه،

چند میلی متر مربع است؟ چگالی خون را به طور تقریب، معادل آب $(1000 \frac{\text{kg}}{\text{m}^3})$ ، فرض کنید.

(۱) 50

(۲) 70

(۳) 100

(۴) 200

| شماره سوال | گزینه صحیح | شماره سوال | گزینه صحیح | شماره سوال | گزینه صحیح | شماره سوال | گزینه صحیح | شماره سوال | گزینه صحیح |
|------------|------------|------------|------------|------------|------------|------------|------------|------------|------------|
| 1 | 3 | 31 | 1 | 61 | 3 | 91 | 1 | 121 | 4 |
| 2 | 1 | 32 | 4 | 62 | 4 | 92 | 4 | 122 | 2 |
| 3 | 4 | 33 | 3 | 63 | 1 | 93 | 2 | 123 | 2 |
| 4 | 2 | 34 | 4 | 64 | 1 | 94 | 2 | 124 | 2 |
| 5 | 3 | 35 | 1 | 65 | 1 | 95 | 4 | 125 | 2 |
| 6 | 4 | 36 | 1 | 66 | 4 | 96 | 3 | 126 | 1 |
| 7 | 1 | 37 | 4 | 67 | 2 | 97 | 3 | 127 | 1 |
| 8 | 3 | 38 | 2 | 68 | 3 | 98 | 4 | 128 | 3 |
| 9 | 2 | 39 | 3 | 69 | 4 | 99 | 1 | 129 | 4 |
| 10 | 3 | 40 | 3 | 70 | 2 | 100 | 1 | 130 | 4 |
| 11 | 4 | 41 | 2 | 71 | 3 | 101 | 2 | 131 | 2 |
| 12 | 3 | 42 | 1 | 72 | 1 | 102 | 3 | 132 | 4 |
| 13 | 1 | 43 | 3 | 73 | 4 | 103 | 3 | 133 | 1 |
| 14 | 1 | 44 | 2 | 74 | 1 | 104 | 3 | 134 | 2 |
| 15 | 2 | 45 | 2 | 75 | 1 | 105 | 3 | 135 | 2 |
| 16 | 4 | 46 | 1 | 76 | 4 | 106 | 3 | 136 | 3 |
| 17 | 1 | 47 | 3 | 77 | 3 | 107 | 3 | 137 | 1 |
| 18 | 2 | 48 | 2 | 78 | 4 | 108 | 3 | 138 | 3 |
| 19 | 3 | 49 | 1 | 79 | 2 | 109 | 1 | 139 | 4 |
| 20 | 2 | 50 | 4 | 80 | 3 | 110 | 2 | 140 | 2 |
| 21 | 1 | 51 | 1 | 81 | 3 | 111 | 3 | 141 | 3 |
| 22 | 4 | 52 | 2 | 82 | 3 | 112 | 3 | 142 | 2 |
| 23 | 3 | 53 | 4 | 83 | 1 | 113 | 1 | 143 | 2 |
| 24 | 2 | 54 | 4 | 84 | 3 | 114 | 1 | 144 | 4 |
| 25 | 4 | 55 | 3 | 85 | 1 | 115 | 2 | 145 | 2 |
| 26 | 4 | 56 | 1 | 86 | 4 | 116 | 1 | 146 | 3 |
| 27 | 3 | 57 | 2 | 87 | 2 | 117 | 1 | 147 | 1 |
| 28 | 1 | 58 | 4 | 88 | 1 | 118 | 3 | 148 | 1 |
| 29 | 2 | 59 | 2 | 89 | 4 | 119 | 4 | 149 | 4 |
| 30 | 4 | 60 | 4 | 90 | 1 | 120 | 2 | 150 | 3 |