

کد کنترل

733

C



صبح پنجشنبه

۱۳۹۸/۳/۲۳



جمهوری اسلامی ایران  
وزارت علوم، تحقیقات و فناوری  
سازمان سنجش آموزش کشور

«اگر دانشگاه اصلاح شود مملکت اصلاح می‌شود.»  
امام خمینی (ره)

آزمون ورودی دوره‌های کارشناسی ارشد ناپیوسته داخل - سال ۱۳۹۸

مجموعه مهندسی برق - کد (۱۲۵۱)

مدت پاسخ‌گویی: ۲۷۰ دقیقه

تعداد سؤال: ۱۳۸

عنوان مواد امتحانی، تعداد و شماره سؤالات

ردیف	مواد امتحانی	تعداد سؤال	از شماره	تا شماره
۱	زبان عمومی و تخصصی (انگلیسی)	۳۰	۱	۳۰
۲	ریاضیات (معادلات دیفرانسیل، ریاضیات مهندسی، آمار و احتمال)	۱۵	۳۱	۴۵
۳	مدارهای الکتریکی (۲و۱)	۱۵	۴۶	۶۰
۴	الکترونیک (۲و۱) و سیستم‌های دیجیتال ۱	۱۵	۶۱	۷۵
۵	ماشین‌های الکتریکی (۲و۱) و تحلیل سیستم‌های انرژی الکتریکی ۱	۱۵	۷۶	۹۰
۶	سیستم‌های کنترل خطی	۱۲	۹۱	۱۰۲
۷	سیگنال‌ها و سیستم‌ها	۱۲	۱۰۳	۱۱۴
۸	الکترومغناطیس *	۱۲	۱۱۵	۱۲۶
۹	مقدمه‌ای بر مهندسی پزشکی *	۱۲	۱۲۷	۱۳۸

\* برای داوطلبان رشته مهندسی پزشکی، انتخاب یکی از دروس ردیف ۸ یا ۹ به عنوان درس هشتم الزامی است.

استفاده از ماشین حساب مجاز نیست.

این آزمون نمره منفی دارد.

حق چاپ، تکثیر و انتشار سؤالات به هر روش (الکترونیکی و...) پس از برگزاری آزمون، برای تمامی اشخاص حقیقی و حقوقی تنها با مجوز این سازمان مجاز می‌باشد و با متخلفین برابر مقررات رفتار می‌شود.

۱۳۹۸

\* داوطلب گرامی، عدم درج مشخصات و امضا در مندرجات جدول ذیل، به منزله عدم حضور شما در جلسه آزمون است.

اینجانب ..... با شماره داوطلبی ..... با آگاهی کامل، یکسان بودن شماره صندلی خود را با شماره داوطلبی مندرج در بالای کارت ورود به جلسه، بالای پاسخنامه و دفترچه سوالات، نوع و کد کنترل درج شده بر روی دفترچه سوالات و پائین پاسخنامه را تأیید می‌نمایم.

امضا:

زبان عمومی و تخصصی (انگلیسی):

### PART A: Vocabulary

**Directions:** Choose the word or phrase (1), (2), (3), or (4) that best completes each sentence. Then mark the answer on your answer sheet.

- 1- It's an ----- to their friends as to why the couple broke up because they seem perfect for each other.  
1) interference      2) inference      3) alteration      4) enigma
- 2- Mr. Baker has decided to move to a big city because of a ----- of employment opportunities in his small hometown.  
1) demonstration      2) foundation      3) trace      4) dearth
- 3- Do you know of an alternate route we could take to ----- having to drive through the city?  
1) circumvent      2) delight in      3) partake of      4) suggest
- 4- My political science professor presents her lectures in a relaxed manner using ----- rather than elaborate language.  
1) loquacious      2) colloquial      3) literary      4) inflated
- 5- My uncle, a farmer, is an ----- pessimist when he discusses the weather. For example, if the sun is shining, he's sure a drought is beginning; if it's raining, he's sure his crops will be washed away.  
1) initial      2) instant      3) immutable      4) interactive
- 6- The pharmaceutical company had to ----- its advertising claim regarding the healing power of its new arthritis medicine because research studies clearly indicate the medicine isn't effective.  
1) repudiate      2) enhance      3) distribute      4) replicate
- 7- I would like to compliment Jaden for the course of action he recommended because I think it will ----- our problem once and for all.  
1) sequence      2) speculate      3) signify      4) settle
- 8- An ----- is often expressed as a simile, as in "The football game was like a battle between gladiators."  
1) endeavor      2) invasion      3) analogy      4) arena

- 9- There are many good reasons for not smoking, but those having to do with health are the most -----.
- 1) passionate      2) cogent      3) paradoxical      4) accidental
- 10- ----- therapy is a psychological approach designed to help individuals change harmful thought patterns to more constructive ones.
- 1) Inherent      2) Thoughtful      3) Cognitive      4) Epidemiological

### PART B: Cloze Test

**Directions:** Read the following passage and decide which choice (1), (2), (3), or (4) best fits each space. Then mark the correct choice on your answer sheet.

The earliest human artifacts showing evidence of workmanship with an artistic purpose (11) ----- the subject of some debate. It is clear that such workmanship existed some 40,000 years ago in the Upper Paleolithic era. (12) ----- it is quite possible that it began earlier. In September 2018, scientists (13) ----- the discovery of (14) ----- by *Homo sapiens*, which is estimated to be 73,000 years old, much earlier than the 43,000-year-old artifacts (15) ----- to be the earliest known modern human drawings found previously.

- 11- 1) are      2) is      3) has been      4) was
- 12- 1) as      2) when      3) since      4) although
- 13- 1) who reported      2) reported      3) having reported      4) to report
- 14- 1) known drawing the earliest      2) the earliest drawing was known  
3) the earliest known drawing      4) known as the earliest drawing
- 15- 1) that understand      2) understood  
3) were understood      4) they are understood

### PART C: Reading Comprehension

**Directions:** Read the following three passages and answer the questions by choosing the best choice (1), (2), (3), or (4). Then mark the correct choice on your answer sheet.

#### PASSAGE 1:

When first introduced, linear motors were seen as a major technological breakthrough. However, disappointingly few practical applications have been found for this new development. An earlier innovation, the Wankel engine, was radically different from conventional engines, having a rotary piston and no valves. Wankel engines were adopted by the Mazda car company. However, Wankel engines are now rarely used because of problems with fuel consumption and maintenance. The Wankel story illustrates the risks involved in developing any new product – success can mean a market lead over competitors but failure means that expensive development costs must be written off with no result. Sadly, technological superiority does not guarantee

success. Betamax video tapes, technically better than their rivals gave way to VHS because of better marketing.

- 16- **The main message of this passage is -----.**  
 1) marketing is more important than technology  
 2) technological superiority does not guarantee success  
 3) Wankel engines were better than conventional engines  
 4) linear motors were a major technological breakthrough
- 17- **The word "lead" in line 8 means -----.**  
 1) direction  
 2) usefulness  
 3) first place  
 4) a soft and heavy metal
- 18- **According to the text, -----.**  
 1) Betamax video tapes were a marketing success  
 2) linear motors were invented before the Wankel engine  
 3) failure means another product has technological superiority  
 4) the Wankel engine was essentially different from conventional engines
- 19- **All of the following, based on information given in the passage, are true EXCEPT -----.**  
 1) Wankel engines have maintenance problems  
 2) linear motors have few practical applications  
 3) Wankel engines are used in a few Mazda car company products  
 4) Wankel engines use more fuel than engines with a rotary piston and valves
- 20- **Which of the following products was a success in the market?**  
 1) VHS  
 2) Linear motors  
 3) Wankel engine  
 4) Betamax video tapes

**PASSAGE 2:**

Sonar (originally an acronym for Sound Navigation And Ranging) is a technique that uses sound propagation (usually underwater, as in submarine navigation) to navigate, communicate with or detect objects on or under the surface of the water, such as other vessels. Two types of technology share the name "sonar": passive sonar is essentially listening for the sound made by vessels; active sonar is emitting pulses of sounds and listening for echoes. Sonar may be used as a means of acoustic location and of measurement of the echo characteristics of "targets" in the water. Acoustic location in air was used before the introduction of radar. Sonar may also be used in air for robot navigation, and SODAR (an upward looking in-air sonar) is used for atmospheric investigations. The term sonar is also used for the equipment used to generate and receive the sound. The acoustic frequencies used in sonar systems vary from very low (infrasonic) to extremely high (ultrasonic). The study of underwater sound is known as underwater acoustics or hydroacoustics.

Active sonar creates a pulse of sound, often called a "ping", and then listens for reflections (echo) of the pulse. This pulse of sound is generally created electronically. Occasionally, the acoustic pulse may be created by other means, e.g. (1) chemically using explosives, or (2) airguns or (3) plasma sound sources. To measure the distance to an object, the time from transmission of a pulse to reception is measured and converted into a range by knowing the speed of sound.

- 21- According to the text, sonar is -----.
- 1) passive
  - 2) introduced after radar
  - 3) usually used under water
  - 4) used to generate and receive sound
- 22- What is the main difference between the passive sonar and the active sonar?
- 1) Unlike active sonar, passive sonar is only used under water.
  - 2) Passive sonar is essentially listening for the sound made by vessels; active sonar is emitting pulses of sounds and listening for echoes.
  - 3) Passive sonar is used for finding targets in the water, but active sonar is used for atmospheric navigation.
  - 4) Passive sonar uses very low frequencies, but active sonar uses extremely high frequencies.
- 23- A ping, according to the passage, is -----.
- 1) a pulse of sound generated by an active sonar
  - 2) the reflections of the sound
  - 3) an echo of the signal
  - 4) an electronic pulse
- 24- How is the acoustic pulse generally generated in active sonar?
- 1) electronically
  - 2) by using airguns
  - 3) chemically using explosives
  - 4) by using plasma sound sources
- 25- To measure how far away an object is from us, we need to know -----.
- 1) the time of the ping
  - 2) the speed of the vessel
  - 3) the measurement unit and conversion skills
  - 4) the time from transmission of a pulse to reception and the speed of sound

**PASSAGE 3:**

Researchers have discovered that perovskites crystals exhibit strong carrier multiplication properties. The news may revolutionize the solar cells industry. New work from the University of Amsterdam (UA) and Osaka University (OU) has just revealed a crucial discovery related to perovskites crystals that may just be the key to efficiently turning light into electricity. The research has found that the crystals have strong carrier multiplication properties, a previously unknown fact.

Perovskites, discovered in 1839 by German mineralogist Gustav Rose and named after Russian mineralogist Count Lev Alekseevich Perovski, are minerals with the same type of crystal structure as calcium titanium oxide (CaTiO<sub>3</sub>). This structure is known as the perovskite structure.

The materials have applications in perovskites solar cells known to be preferable to traditional silicon ones because they can be manufactured with much simpler and cheaper techniques. In addition, the solar cell efficiencies of devices using perovskites have significantly increased in the past few years (3.8% in 2009 to 22.7% in late 2017 in single-junction architectures).

With the potential of offering very high efficiency combined with low production costs, these perovskites cells are considered the fastest advancing solar technology to date. Their desirable electronic properties have also seen them be useful in the construction of LEDs, TV-screens and even lasers.

Despite being studied extensively in the last year by physicists, researchers had yet to discover this impressive carrier multiplication ability. Now, the revelation is bound to see the Shockley-Queisser limit revisited.

This limit, also known as the detailed balance limit, refers to the maximum theoretical efficiency of a solar cell (i.e. its ability to turn light into electrical power). In ordinary solar cells, it lies at most a little below 30%. However, in materials that display the carrier multiplication effect that limit has already been beat, with efficiencies of up to 44% reached. The question now becomes, what could perovskites achieve?

- 26- The word "crucial" in the first paragraph, line 4 means -----.
- 1) important                      2) strong                      3) rare                      4) difficult
- 27- Who has discovered that perovskites crystals exhibit strong carrier multiplication properties?
- 1) Shockley-Queisser                      2) Alekseevich Perovski  
3) Researchers from the UA and OU                      4) Gustav Rose
- 28- All of the following are true about the efficiency of solar cells EXCEPT -----.
- 1) the efficiency of ordinary solar cells is limited by Shockley-Queisser limit  
2) no material could have a greater efficiency than the Shockley-Queisser limit  
3) the efficiency of ordinary solar cells is smaller than 30%  
4) the carrier multiplication effect increases the efficiency of solar cells made of perovskites
- 29- Which item is not a reason for perovskites solar cells being preferred to traditional silicon ones?
- 1) They are more efficient.  
2) They are simpler to produce.  
3) They are cheaper to produce.  
4) They are useful in the construction of LEDs, TV-screens and even lasers.
- 30- According to the text, what has been unknown until recently?
- 1) The detailed balance limit  
2) The Shockley-Queisser limit  
3) The crystal structure of calcium titanium oxide (CaTiO<sub>3</sub>)  
4) Perovskites crystals exhibiting strong carrier multiplication properties

ریاضیات (معادلات دیفرانسیل، ریاضیات مهندسی، آمار و احتمال):

۳۱- فرض کنید معادله دیفرانسیل  $M(x, y)dx + N(x, y)dy = 0$  دارای عامل انتگرال ساز به صورت  $\mu(z)$  با شرط

$z = x^2 + xy$  باشد.  $\frac{d \ln \mu}{dz}$ ، کدام است؟

$$\frac{M_y - N_x}{(2x + y)M - xN} \quad (2)$$

$$\frac{M_y - N_x}{(2x + y)N - xM} \quad (1)$$

$$\frac{M_y - N_x}{(2x + y)M + xN} \quad (4)$$

$$\frac{M_y - N_x}{(2x + y)N + xM} \quad (3)$$

۳۲- فرض کنید  $y(x)$  سری مکلورن جواب معادله دیفرانسیل  $(1-x^2)y'' - 2xy' + 12y = 0$  باشد. در این صورت اگر

$$\sum_{n=0}^{\infty} p_n(x)u^n = \frac{1}{\sqrt{1-2xu+u^2}}$$

$p_1(x)$  (۱)

$p_7(x)$  (۲)

$p_7(x)$  (۳)

$p_4(x)$  (۴)

۳۳- دستگاه معادلات دیفرانسیلی زیر را در نظر بگیرید:

$$\begin{cases} x'(t) - 4y''(t) = \begin{cases} 1 & 0 \leq t < 1 \\ 0 & t \geq 1 \end{cases} \\ y''(t) - 3x(t) = 1 \\ x(0) = y(0) = y'(0) = 0 \end{cases}$$

$x(2)$  کدام است؟

$\frac{5}{12}(e^{24} - 1)$  (۲)

$\frac{1}{2}(e^{12} - 1)$  (۱)

$\frac{1}{12}(\Delta e^{12} + e^{24} - 6)$  (۴)

$\frac{1}{12}(\Delta e^{24} + e^{12} - 6)$  (۳)

۳۴- مسیرهای قائم بر منحنی‌های  $x^2 + \frac{y^2}{e^x} = 1$  که در آن  $e \neq 0$  پارامتر ثابت حقیقی است، کدام است؟

$x^2 + y^2 = \ln(cx)$  (۱)

$\frac{1}{2}x^2 + \frac{1}{2}y^2 = x + c$  (۲)

$x^2 + y^2 = c - x$  (۳)

$\frac{1}{2}x^2 + \frac{1}{2}y^2 = \ln(cx)$  (۴)

۳۵- رونسکین دو جواب مستقل خطی معادله دیفرانسیل  $xy'' - (1+x)y' + (\sin x)y = 0$ ,  $x > 0$ ، کدام است؟

$cx e^x$  (۱)

$cx e^{-x}$  (۲)

$\frac{c}{x} e^x$  (۳)

$\frac{c}{x} e^{-x}$  (۴)

۳۶- مسئله موج دو بعدی زیر را درون دایره واحد در نظر بگیرید.

$$\begin{cases} u_{tt}(r, \theta, t) = \nabla^2 u(r, \theta, t) , & 0 < r < 1, 0 < \theta < 2\pi, t > 0 \\ u(r, \theta, 0) = 1 , & 0 \leq r \leq 1, 0 \leq \theta < 2\pi \\ u_t(r, \theta, 0) = 0 , & 0 \leq r \leq 1, 0 \leq \theta < 2\pi \\ u(1, \theta, t) = 0 , & 0 \leq \theta < 2\pi \end{cases}$$

اگر  $u(r, \theta, t) = \sum_{n=1}^{\infty} (a_n \cos \lambda_n t + b_n \sin \lambda_n t) J_0(\alpha_n r)$  جواب مسئله باشد،  $a_n$  و  $b_n$  کدام اند؟

$$b_n = \frac{2}{\alpha_n J_0'(\alpha_n)} \int_0^1 r J_1(\alpha_n r) dr , a_n = 0 \quad (۱)$$

$$b_n = \frac{2}{\alpha_n J_1'(\alpha_n)} \int_0^1 r J_0(\alpha_n r) dr , a_n = 0 \quad (۲)$$

$$b_n = 0 , a_n = \frac{2}{J_0'(\alpha_n)} \int_0^1 r J_1(\alpha_n r) dr \quad (۳)$$

$$b_n = 0 , a_n = \frac{2}{J_1'(\alpha_n)} \int_0^1 r J_0(\alpha_n r) dr \quad (۴)$$

۳۷- با استفاده از مقدار  $\oint_{|z|=1} \frac{e^{az}}{z} dz$  حاصل  $\int_0^\pi e^{a \cos \theta} \cos(a \sin \theta) d\theta$  ، کدام است؟

$$\frac{\pi}{8} \quad (۱)$$

$$\frac{\pi}{2} \quad (۲)$$

$$\frac{3\pi}{4} \quad (۳)$$

$$\pi \quad (۴)$$

۳۸- فرض کنید  $e^{-2\omega}$  ضریب انتگرال فوریه سینوسی تابع  $f(x) = \frac{x}{x^2 + 4}$  باشد. حاصل انتگرال  $\int_0^\infty \frac{x^2}{(x^2 + 4)^2} dx$  ،

کدام است؟

$$\frac{1}{2\pi} \quad (۱)$$

$$\frac{2}{\pi} \quad (۲)$$

$$\frac{\pi}{2} \quad (۳)$$

$$2\pi \quad (۴)$$



۳۹- نقش تصویر ناحیه  $D = \{(x, y) \mid 1 \leq x \leq 2, y \leq 2\}$  توسط نگاشت  $\omega = e^{-\pi(i z + 2 - i)}$  کدام است؟

(۱)  $\{\omega \mid |\omega| \leq 1, \operatorname{Re}(\omega) \geq 0\}$

(۲)  $\{\omega \mid |\omega| \leq 1, \operatorname{Im}(\omega) \leq 0\}$

(۳)  $\{\omega \mid |\omega| \geq 1, \operatorname{Re}(\omega) \geq 0\}$

(۴)  $\{\omega \mid |\omega| \geq 1, \operatorname{Im}(\omega) \leq 0\}$

۴۰- جواب مسئله گرمای زیر کدام است؟

$$\begin{cases} u_t(x, t) = \tau u_{xx}(x, t) + \gamma u(x, t), & 0 < x < \pi, t > 0 \\ u(x, 0) = f(x), & 0 \leq x \leq \pi \\ u(0, t) = u_x(\pi, t) = 0 \end{cases}$$

(۱)  $u(x, t) = \sum_{n=1}^{\infty} a_n e^{-(\tau n^2 - \tau n + \gamma)t} \cos\left(\frac{\tau n - 1}{\tau} x\right), a_n = \frac{\tau}{\pi} \int_0^{\pi} f(x) \cos\left(\frac{\tau n - 1}{\tau} x\right) dx$

(۲)  $u(x, t) = \sum_{n=1}^{\infty} a_n e^{-(\tau n^2 - \tau n + \gamma)t} \sin\left(\frac{\tau n - 1}{\tau} x\right), a_n = \frac{\tau}{\pi} \int_0^{\pi} f(x) \sin\left(\frac{\tau n - 1}{\tau} x\right) dx$

(۳)  $u(x, t) = \sum_{n=1}^{\infty} a_n e^{-(\tau n^2 - \tau n - 1)t} \sin\left(\frac{\tau n - 1}{\tau} x\right), a_n = \frac{\tau}{\pi} \int_0^{\pi} f(x) \sin\left(\frac{\tau n - 1}{\tau} x\right) dx$

(۴)  $u(x, t) = \sum_{n=1}^{\infty} a_n e^{-(\tau n^2 - \tau n - 1)t} \cos\left(\frac{\tau n - 1}{\tau} x\right), a_n = \frac{\tau}{\pi} \int_0^{\pi} f(x) \cos\left(\frac{\tau n - 1}{\tau} x\right) dx$

۴۱- یک سکه با احتمال مساوی شیر و خط را به طور مستقل از هم آنقدر پرتاب می‌کنیم تا برای سومین بار خط مشاهده شود. به طور متوسط چند بار باید پرتاب را انجام دهیم، تا برای سومین بار خط مشاهده شود؟

(۱) ۶

(۲) ۸

(۳) ۱۲

(۴) ۱۶

۴۲- از میان اعداد سه رقمی ۱۰۰ تا ۹۹۹ یک عدد به صورت تصادفی انتخاب می‌کنیم. احتمال این که تنها یک رقم از ارقام این عدد سه رقمی بزرگتر از ۶ باشد، چقدر است؟

(۱) ۰/۳۴

(۲) ۰/۴۴

(۳) ۰/۴۹

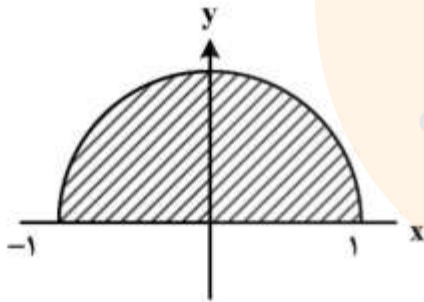
(۴) ۰/۶۲

۴۳- فرض کنید  $X$  و  $Y$  دو متغیر تصادفی مستقل و هر کدام دارای توزیع یکنواخت در بازه  $[0, 1]$  باشند. اگر  $Z = \max\{X, Y\}$  و  $W = \min\{X, Y\}$  باشد، مقدار  $E\{Z - W\}$ ، کدام است؟

- (۱)  $\frac{1}{6}$
- (۲)  $\frac{1}{2}$
- (۳)  $\frac{1}{3}$
- (۴)  $\frac{2}{3}$

۴۴- تابع چگالی مشترک دو متغیر تصادفی  $X$  و  $Y$  به صورت زیر است، که  $A$  یک مقدار ثابت است. کوواریانس  $X$  و  $Y$  کدام است؟

$$f_{XY}(x, y) = \begin{cases} A & x^2 + y^2 \leq 1 \\ & y \geq 0 \\ & \text{سایر} \\ 0 & \end{cases}$$



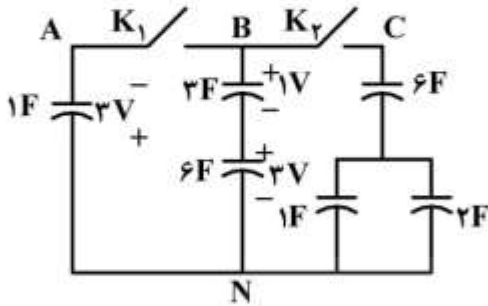
- (۱)  $-\frac{1}{\pi}$
- (۲)  $-\frac{2}{\pi}$
- (۳)  $\frac{2}{\pi}$
- (۴) ۰

۴۵- اگر  $X_1, X_2, X_3, X_4$  و  $X_4$  متغیرهای تصادفی مستقل از هم و هر کدام دارای تابع چگالی  $f_X(x) = e^{-x}u(x)$  باشد، بهترین تخمین متغیر تصادفی  $X_1$  بر حسب مقدار مشاهده شده  $Z = X_1 + X_2 + X_3 + X_4$ ، با معیار حداقل میانگین مربع خطا کدام است؟

- (۱)  $\frac{Z}{2}$
- (۲)  $\frac{Z}{4}$
- (۳)  $\frac{Z^2}{4}$
- (۴)  $\frac{e^{-Z}}{4}$

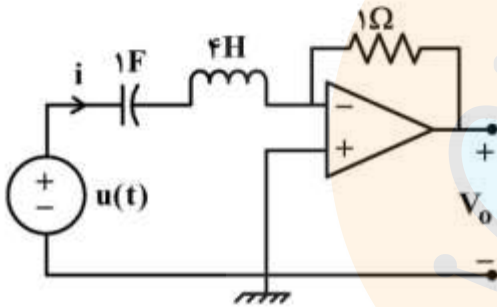
مدارهای الکتریکی (۳۰):

۴۶- در مدار زیر، خازن‌های شاخه CN همگی بی‌بار و ولتاژ سایر خازن‌ها در شکل داده شده است. اگر هر دو کلید  $K_1$  و  $K_2$  به طور هم‌زمان وصل شوند، تلفات انرژی الکتریکی در مدار چند ژول خواهد بود؟



- (۱) صفر
- (۲) ۶
- (۳) ۱۶
- (۴) ۳۰/۵

۴۷- در مدار زیر، آپ امپ ایدئال است. ولتاژ خروجی از حل کدام معادله دیفرانسیل به دست می‌آید؟



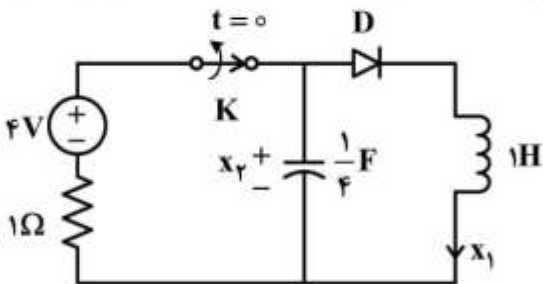
- (۱)  $\frac{d^2 V_o}{dt^2} + \frac{V_o}{4} = -u(t)$
- (۲)  $4 \frac{d^2 V_o}{dt^2} + V_o = -\delta(t)$
- (۳)  $\frac{d^2 V_o}{dt^2} + \frac{V_o}{4} = +u(t)$
- (۴)  $4 \frac{d^2 V_o}{dt^2} + V_o = +\delta(t)$

۴۸- معادلات بیان‌کننده یک دوقطبی عبارت است از:  $\begin{cases} V_1 = \alpha I_1 \\ V_2 = -\alpha I_1 \end{cases}$ ، که در آن  $\alpha$  مقداری ثابت است. دو تا از دوقطبی‌ها

را پشت سر هم بسته و در خروجی آن بار  $Z_L$  را قرار می‌دهیم. امپدانس ورودی شبکه مجموعه کدام است؟

- (۱)  $-Z_L$
- (۲)  $-\frac{Z_L}{\alpha^2}$
- (۳)  $Z_L$
- (۴)  $-\alpha^2 Z_L$

۴۹- در مدار زیر، دیود D ایدئال و کلید K را در لحظه  $t = 0$  باز می‌کنیم. در مورد مسیر حالت مدار، کدام گزینه برای  $t > 0$  درست است؟ (در صفحه  $x_2$  بر حسب  $x_1$ )

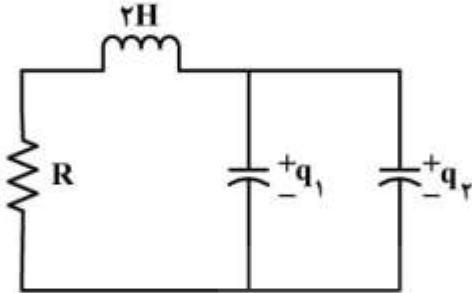


- (۱) یک ربع بیضی در ربع چهارم است.
- (۲) یک ربع بیضی در ربع اول است.
- (۳) یک نیم بیضی در ربع اول و ربع دوم است.
- (۴) یک بیضی در ربع چهارم است.

۵۰- در مدار زیر خازن‌ها غیرخطی‌اند و سلف خطی برابر با ۲ هنری است. به ازای چه مقدار  $R$  پاسخ جریان سلف، میرای ضعیف خواهد بود؟

$$q_1 = v_1^3 + 4v_1$$

$$v_2 = -\sqrt{q_2}$$



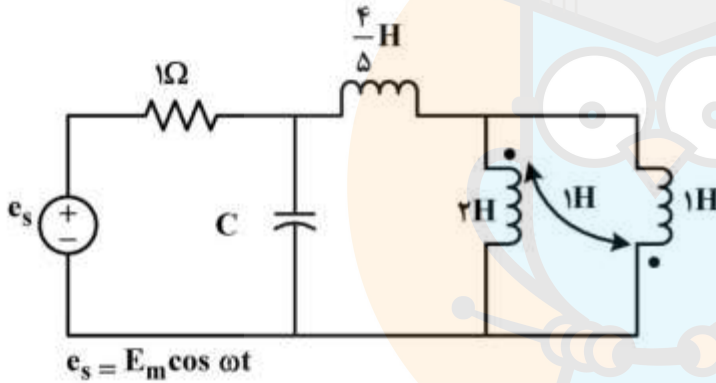
○  $R < \sqrt{2}$  (۱)

○  $R < \sqrt{2}$  (۲)

○  $R < 1$  (۳)

○  $R < 2$  (۴)

۵۱- مدار زیر در حالت دائمی سینوسی است. به ازای چه مقدار ظرفیت خازن  $C$  بر حسب فاراد، فرکانس زاویه‌ای تشدید  $\omega = 1$  رادیان بر ثانیه خواهد بود؟



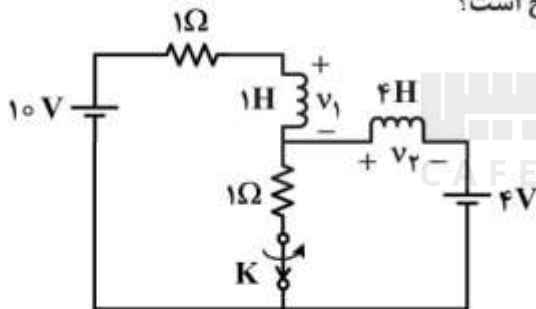
○  $\frac{1}{3}$  (۱)

○  $\frac{1}{2}$  (۲)

○  $1$  (۳)

○  $\frac{3}{2}$  (۴)

۵۲- در مدار زیر، کلید  $K$  به مدت طولانی بسته بوده است. در لحظه  $t = 0$  آن را باز می‌کنیم. کدام گزینه در مورد ولتاژهای  $v_1$  و  $v_2$  دو سر سلف‌ها بعد از باز شدن کلید صحیح است؟



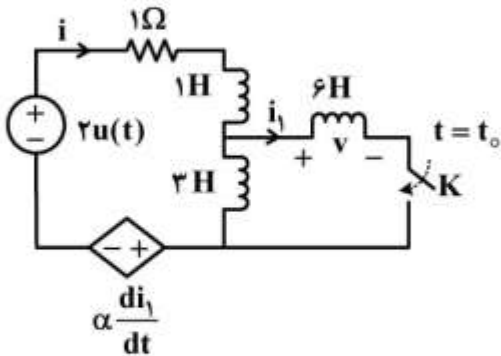
○  $v_1 = v_2 = 0$  (۱)

○  $v_1 = v_2 = +3/2 \delta(t)$  (۲)

○  $v_1 = -v_2 = +3/2 \delta(t)$  (۳)

○  $v_1 = -v_2 = -3/2 \delta(t)$  (۴)

۵۳- در مدار زیر، شرایط اولیه همگی صفر و کلید K باز است. اگر کلید را در لحظه  $t_0 > 0$  وصل کنیم، به ازای کدام ضریب ثابت  $\alpha$ ، ثابت زمانی مدار بعد از وصل کلید ۲۵٪ ثابت زمانی مدار قبل از وصل کلید خواهد بود؟



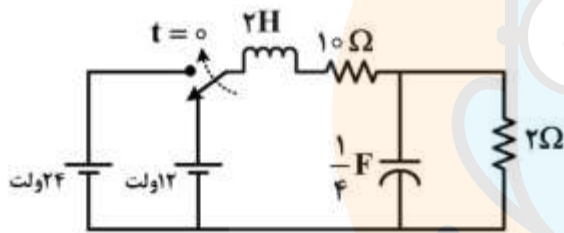
(۱) -۶

(۲) -۳

(۳) +۳

(۴) +۶

۵۴- در مدار زیر، کلید مدت‌ها بسته بوده است و در  $t = 0$  تغییر وضعیت می‌دهد. مقادیر  $\left. \frac{dv_C}{dt} \right|_{0^+}$  و  $\left. \frac{di_L}{dt} \right|_{0^+}$  چقدر است؟



(۱)  $0$  و  $\frac{6}{s} A$

(۲)  $0$  و  $-\frac{6}{s} A$

(۳)  $0$  و  $\frac{4}{s} V$

(۴)  $\frac{4}{s} V$  و  $\frac{6}{s} A$

۵۵- گراف یک شبکه الکتریکی از ۵ زیرگراف مسطح بی‌لولا و جدا از هم تشکیل شده است. تعداد کل شاخه‌های شبکه ۲۵ و تعداد معادلات KVL ناپسته که می‌توان در شبکه نوشت، برابر با ۱۳ است. تعداد کل گره‌های شبکه چند عدد است؟

(۱) ۱۲

(۲) ۱۳

(۳) ۱۶

(۴) ۱۷

۵۶- ماتریس انتقال  $T = \begin{pmatrix} A & B \\ C & D \end{pmatrix}$ ، یک دو قطبی  $N$  برابر  $T = \begin{pmatrix} ۴ & ۳ \\ ۱ & ۲ \\ ۳ & ۴ \end{pmatrix}$  است. ماتریس انتقال دو قطبی بزرگ شکل

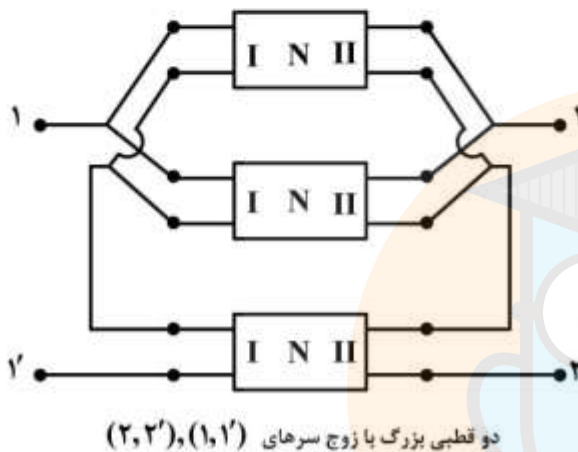
زیر، که در آن هر یک از دو قطبی های  $N$  ماتریس انتقال  $T$  بالا را دارند، کدام است؟ فرض کنید در اتصال سری و یا موازی دو عدد دو قطبی، شرط دو قطبی بودن به هم نمی خورد.

$$T_{\text{بزرگ}} = \begin{pmatrix} ۶ & ۳ \\ ۱ & ۱ \\ ۳ & ۳ \end{pmatrix} \quad (۱)$$

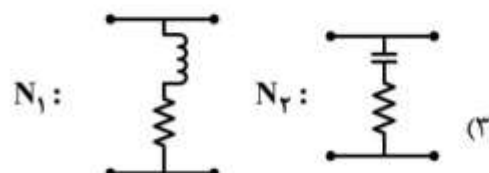
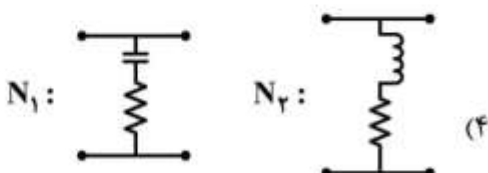
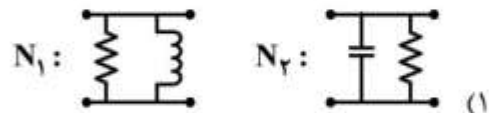
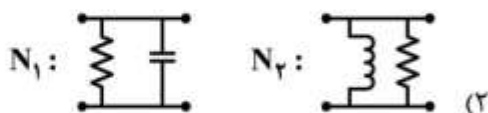
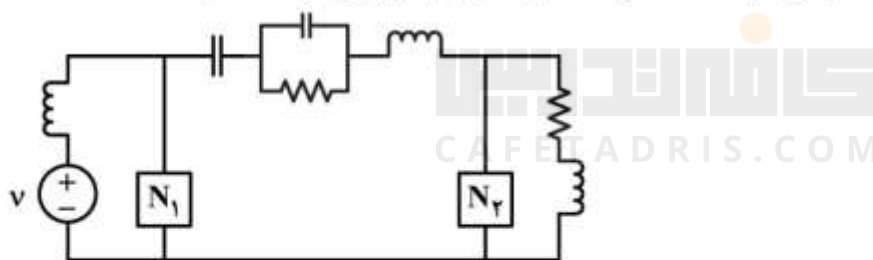
$$T_{\text{بزرگ}} = \begin{pmatrix} ۶ & ۹ \\ ۲ & ۲ \\ ۹ & ۳ \end{pmatrix} \quad (۲)$$

$$T_{\text{بزرگ}} = \begin{pmatrix} ۴ & ۹ \\ ۲ & ۲ \\ ۹ & ۲ \end{pmatrix} \quad (۳)$$

$$T_{\text{بزرگ}} = \begin{pmatrix} ۴ & ۲ \\ ۹ & ۱ \\ ۲ & ۲ \end{pmatrix} \quad (۴)$$

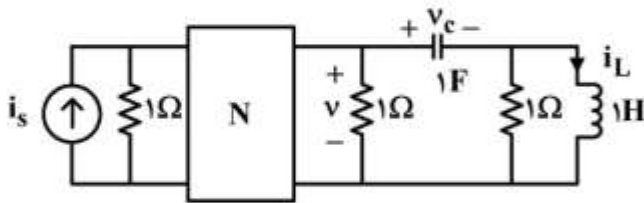


۵۷- در مدار زیر، شبکه های  $N_1$  و  $N_2$  چگونه باشند تا مدار هفت فرکانس طبیعی غیر صفر داشته باشد؟



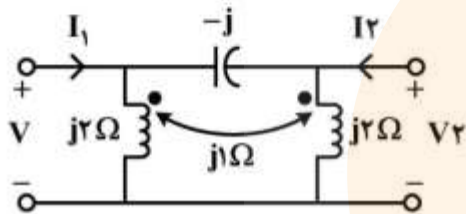
۵۸- در مدار زیر، یک مدار مقاومتی خطی و بدون منابع ناپسته است. اگر تابع انتقال  $\frac{V(s)}{I_s} = \frac{s^2 + s + 1}{\Delta s^2 + \Delta s + 4}$  و شرایط

اولیه  $i_L(0^+) = 1A$  و  $v_C(0^+) = 2V$  و برای  $t > 0$  داشته باشیم  $i_s = 0$ ، شرط اولیه  $v(0^+)$  برابر کدام است؟



- (۱)  $-\frac{1}{5}$
- (۲)  $\frac{1}{5}$
- (۳)  $\frac{1}{4}$
- (۴)  $\frac{4}{5}$

۵۹- در شکل زیر، پارامترهای ماتریس انتقال ادمیتانس دوقطبی کدام است؟



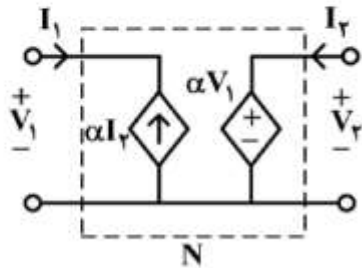
$$\begin{pmatrix} j & \frac{2}{3}j \\ \frac{2}{3}j & j \end{pmatrix} \quad (۱)$$

$$\begin{pmatrix} -j & -\frac{2}{3}j \\ -\frac{2}{3}j & -j \end{pmatrix} \quad (۲)$$

$$\begin{pmatrix} \frac{2}{3}j & -j \\ -j & \frac{2}{3}j \end{pmatrix} \quad (۳)$$

$$\begin{pmatrix} \frac{j}{3} & -\frac{2}{3}j \\ -\frac{2}{3}j & \frac{j}{3} \end{pmatrix} \quad (۴)$$

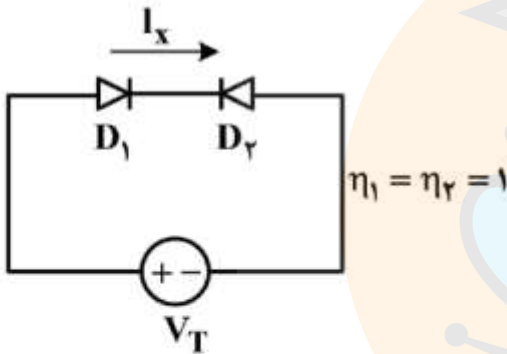
۶۰- دو عدد از دوقطبی‌های شکل زیر (N) را به صورت پشت‌سرهم (Cascade) قرار می‌دهیم و شبکه حاصل را  $N_1$  می‌نامیم. کدام مورد در رابطه با قضیه هم‌پاسخی (Reciprocity) برای شبکه‌های N و  $N_1$  درست است؟



- (۱) هر دو شبکه در قضیه هم‌پاسخی صدق می‌کنند.
- (۲)  $N_1$  صدق می‌کند اما N صدق نمی‌کند.
- (۳) N صدق می‌کند اما  $N_1$  صدق نمی‌کند.
- (۴) به علت منابع وابسته در هم‌پاسخی، صدق نمی‌کنند.

الکترونیک (۲و۱) و سیستم‌های دیجیتال ۱:

۶۱- در مدار زیر، مساحت پیوند دیود  $D_1$  ده برابر مساحت پیوند دیود  $D_2$  است. مقدار جریان  $I_x$  بر حسب جریان اشباع معکوس دیود  $D_2$  چقدر است؟



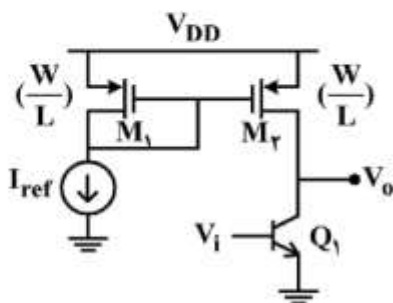
- (۱)  $\frac{e}{e+1}$
- (۲)  $\frac{e}{e+10}$
- (۳)  $\frac{e-1}{e+1}$
- (۴)  $\frac{e-1}{e+10}$

۶۲- جریان یک ترانزیستور MOSFET به‌ازای  $V_{GS} = 0.5V$  برابر  $1\mu A$  و به‌ازای  $V_{GS} = 0.6V$  برابر  $4\mu A$  است. اگر ترانزیستور در ناحیه کاری اشباع بایاس شده باشد، مقادیر  $V_{Th}$  و  $\mu_n C_{ox} \frac{W}{L}$  این ترانزیستور کدام است؟



- (۱)  $100 \frac{\mu A}{V^2}, 0.4V$
- (۲)  $200 \frac{\mu A}{V^2}, 0.4V$
- (۳)  $100 \frac{\mu A}{V^2}, 0.5V$
- (۴)  $200 \frac{\mu A}{V^2}, 0.5V$

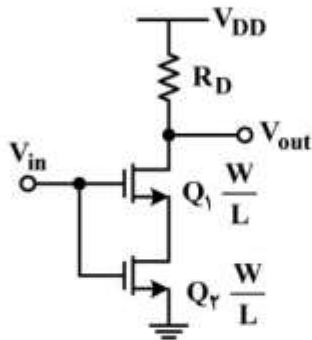
۶۳- در مدار زیر، با فرض عدم وابستگی مقاومت خروجی ترانزیستورها به دما، با افزایش دما بهره و ولتاژ  $\frac{V_0}{V_i}$  چگونه تغییر می‌کند؟



- (۱) کاهش می‌یابد.
- (۲) افزایش می‌یابد.
- (۳) تغییر نمی‌کند.
- (۴) بسته به مقدار دما، بهره می‌تواند افزایش یا کاهش یابد.



۶۴- در مدار زیر ترانزیستورهای  $Q_1$  و  $Q_2$  یکسان بوده و ترانزیستور  $Q_1$  در ناحیه اشباع بایاس شده است. مقدار



بهره و ولتاژ  $A_v = \frac{V_{out}}{V_{in}}$  آن برابر کدام است؟

(۱)  $A_v = -2g_m R_D$

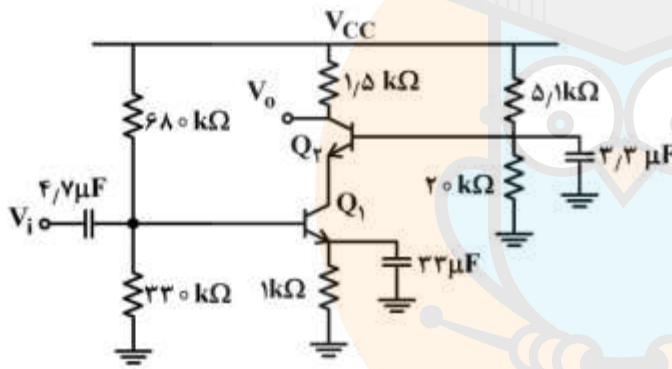
(۲)  $A_v = -g_m R_D$

(۳)  $A_v = \frac{-g_m R_D}{2}$

(۴)  $A_v = \frac{-g_m R_D}{4}$

$g_m = \mu_n C_{ox} \frac{W}{L} (V_{in} - V_{TH})$

۶۵- به ازای  $I_C = 1\text{mA}$ ,  $\beta = 100$  و  $V_T = 25\text{mV}$ ، فرکانس قطع پایین مدار برحسب هر تری تقریباً کدام است؟



( $V_A = \infty$ )

(۱) ۱۲٫۵

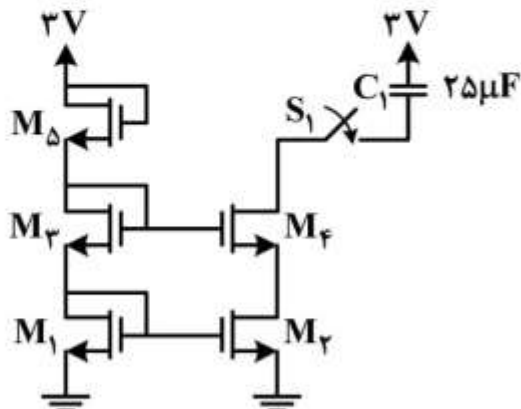
(۲) ۵۰

(۳) ۲۰۰

(۴) ۸۰۰

۶۶- با فرض تشابه همه ترانزیستورها، چند ثانیه پس از بسته شدن کلید  $S_1$ ، ترانزیستور  $M_f$  از ناحیه اشباع خارج می‌شود؟ ولتاژ اولیه خازن صفر است.

$$\begin{cases} \mu_n C_{ox} \frac{W}{L} = 200 \frac{\mu A}{V^2} \\ V_{Th} = 0.5 V \\ \lambda = 0 \end{cases}$$



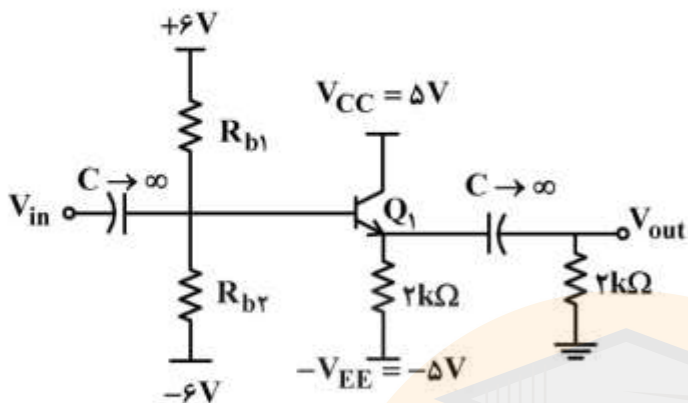
(۱) ۱

(۲) ۱٫۵

(۳) ۲

(۴) ۲٫۵

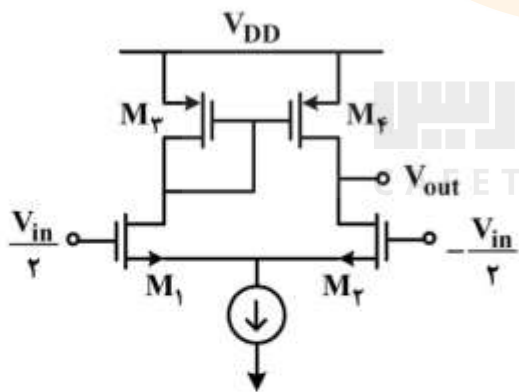
۶۷- در مدار کلکتور مشترک زیر، جریان بایاس ترانزیستور  $Q_1$  برابر  $2/5 \text{ mA}$  است. با فرض بزرگ بودن تمامی خازن‌های مدار، حداکثر محدوده تغییرات ولتاژ گره خروجی ( $V_{out}$ ) چند ولت است؟  
 ( $V_{CE,sat} = 0.2 \text{ V}$ ,  $V_{BE,on} = 0.7 \text{ V}$ ,  $\beta = 150$ )



- ۲/۳ (۱)
- ۴/۸ (۲)
- ۷/۳ (۳)
- ۹/۸ (۴)

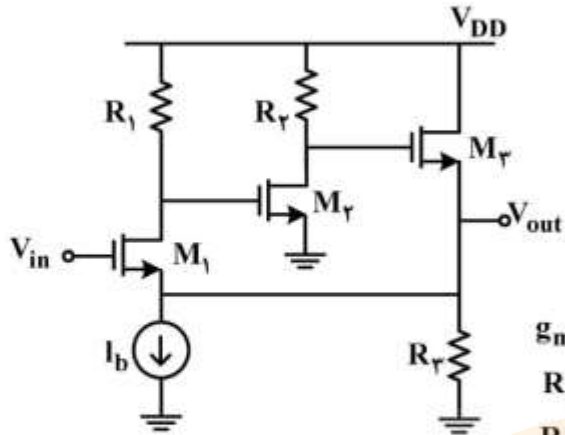
۶۸- در مدار زیر، همه ترانزیستورها در ناحیه اشباع بایاس شده‌اند. مقدار بهره ولتاژ  $A_v = \frac{V_{out}}{V_{in}}$  آن تقریباً برابر کدام است؟ منبع جریان ایدئال فرض شود.

$$\begin{cases} M_r \equiv M_f \\ r_{o1,2} = \infty \\ r_{o3,4} = 20 \text{ k}\Omega \\ gm_1 = 1 \frac{\text{mA}}{\text{V}}, gm_r = 3 \frac{\text{mA}}{\text{V}} \end{cases}$$



- ۱۰ (۱)
- ۲۰ (۲)
- ۳۰ (۳)
- ۴۰ (۴)

۶۹- در مدار زیر، همه ترانزیستورها در ناحیه اشباع بایاس شده‌اند و منبع جریان  $I_b$  ایدئال است. مقدار بهره حلقه فیدبک  $(|\beta A|)$ ، تقریباً برابر کدام است؟



$$g_{m1,2,3} = 10 \frac{\text{mA}}{\text{V}}$$

$$R_{1,2} = 1 \text{ k}\Omega$$

$$R_3 = 100 \Omega$$

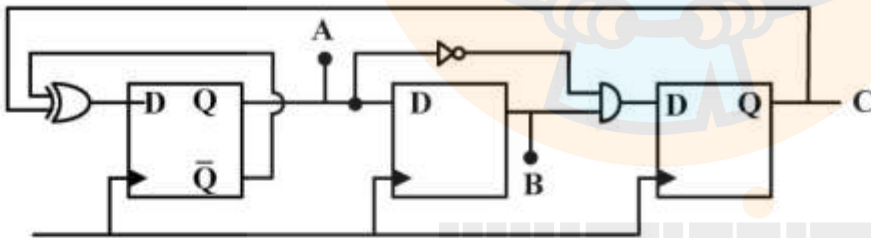
$$V_A = \infty$$

- (۱) ۲۵
- (۲) ۵۰
- (۳)  $\frac{200}{3}$
- (۴)  $\frac{100}{3}$

۷۰- فرض کنید تأخیر گیت‌های پایه برابر تعداد ورودی‌های آن‌ها و تأخیر گیت NOT برابر صفر باشد. اگر گیت XOR به صورت دوسطحی NAND-NAND پیاده‌سازی شود، تأخیر یک جمع‌کننده ۴ بیتی Carry Lookahead Adder (CLA) چند نانو ثانیه است؟

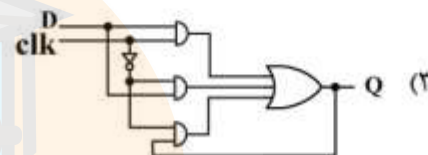
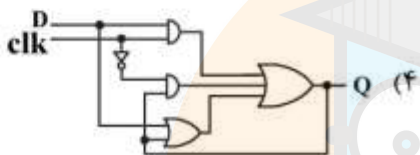
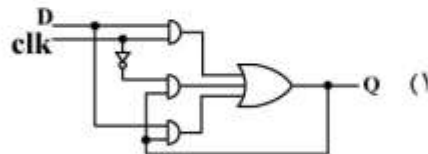
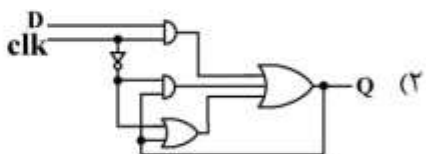
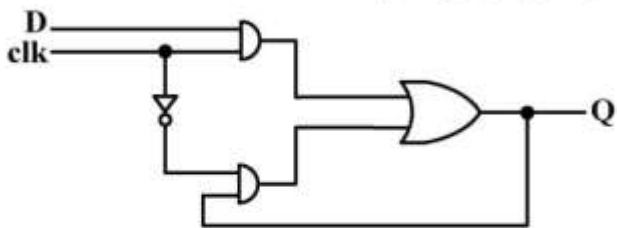
- (۱) ۱۲
- (۲) ۱۴
- (۳) ۱۶
- (۴) ۱۸

۷۱- در مدار زیر، اگر در ابتدا، محتوای هر سه فلیپ‌فلاپ برابر  $ABC = 000$  باشد، به ترتیب تغییرات مدار چگونه خواهد بود؟

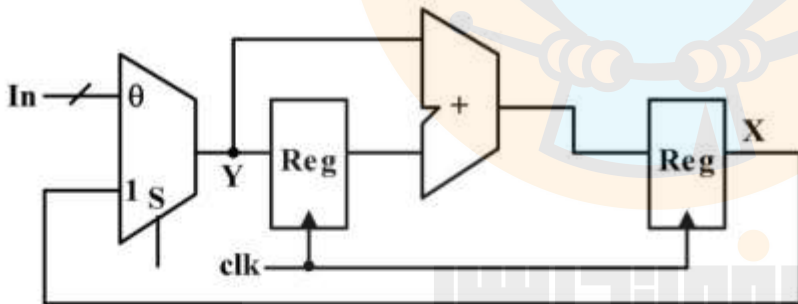


- (۱)  $000 \rightarrow 101 \rightarrow 110 \rightarrow 010 \rightarrow 100 \rightarrow 110 \dots$
- (۲)  $000 \rightarrow 100 \rightarrow 010 \rightarrow 110 \rightarrow 100 \rightarrow 100 \dots$
- (۳)  $000 \rightarrow 100 \rightarrow 110 \rightarrow 010 \rightarrow 101 \rightarrow 010 \dots$
- (۴)  $000 \rightarrow 100 \rightarrow 010 \rightarrow 101 \rightarrow 110 \rightarrow 010 \dots$

۷۲- لچ (فلیپ فلاپ) D شکل زیر دارای هزارد است. چگونه این هزارد را رفع کنیم؟



۷۳- فرض کنید در مدار زیر، تأخیر مالتی پلکسر برابر ۵ نانوثانیه، تأخیر جمع کننده برابر ۱۳ نانوثانیه و پارامترهای زمانی رجیسترها به صورت  $T_{clk \rightarrow q} = 1ns$  و  $T_{setup} = 1ns$  باشد. ماکزیمم فرکانس کاری مدار، چند مگاهرتز است؟



- ۵۰ (۱)
- ۵۲/۵ (۲)
- ۶۶/۴ (۳)
- ۱۴۰ (۴)

۷۴- برای توصیف کنترلر (cu) نشان داده شده به verilog قسمت نقطه چین در کد، با کدام مورد باید پر شود؟

Module cu (input clk , rst, a, b, output reg y, w);

reg [1:0] P , N;

.....

.....

case (P)

0: begin N= a? 1: 0; y=1 ; end

1: N=a?1:2;

2: begin N=b? 0:2;w=1;end

Default: N= 0;

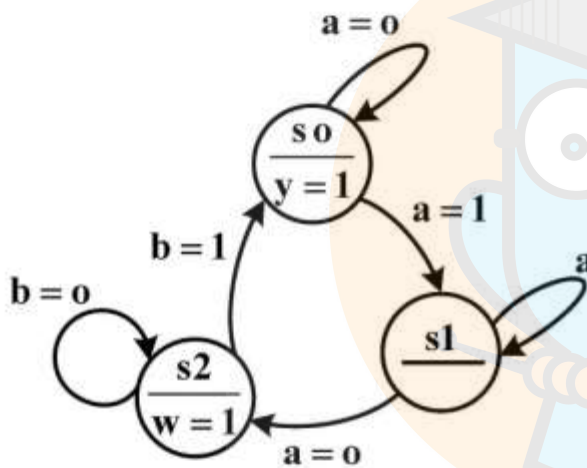
end case

end

always@ (posedge clk, posedge rst)

if(rst) p<=2' b 0 ; else p <=N;

end module



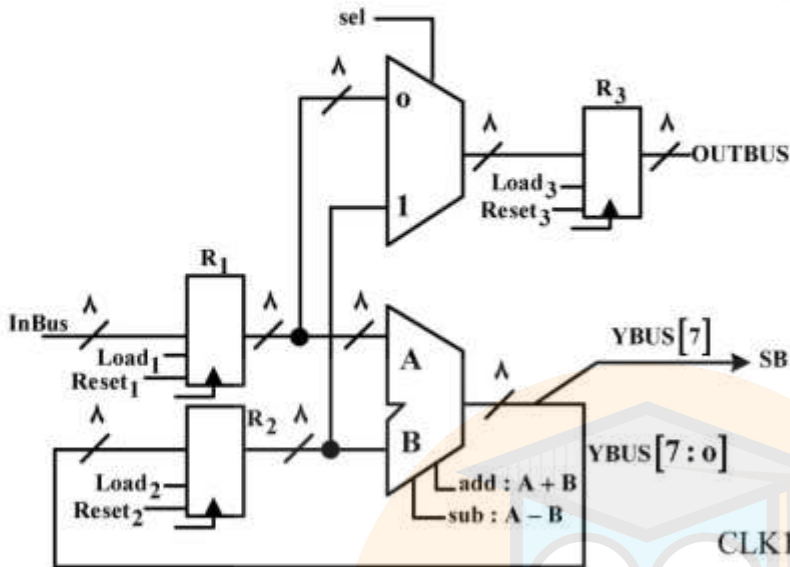
always@(P) begin (۱)  
N = 0;

always@(a, b, P) begin (۲)  
{y, w} = 2'b0;

always@(clk, rst) begin (۳)  
N = 0;

always@(a, b) begin (۴)  
y = 0 ; w = 0;

۷۵- در سه کلاک پشت‌سرهم داده‌های A، B و C بر روی InBus قرار می‌گیرد (1:A, 2:B, 3:C). در این مدار ALU دو عمل نشان داده را انجام می‌دهد. برای این که پس از چهار کلاک  $\text{Min}(C, (A+B))$  بر روی OUTBUS قرار گیرد، سیگنال‌های کنترلی کدام است؟



CLK1:Load 1;add;  
 CLK2:Load 1;Load 3;  
 CLK3:if(SB) sel =0;  
 CLK4:Load 3;sub;

(۱)

CLK1:Load 1;  
 CLK2:Load 2;add;  
 CLK3:if(SB) sel =1;  
 CLK4:Load 3;sub;

(۲)

CLK1:Load 1;Reset 1;Load 2  
 CLK2:Load 2;sub  
 CLK3:Load 1;add  
 CLK4:Load 3;if (SB)sel = 1;

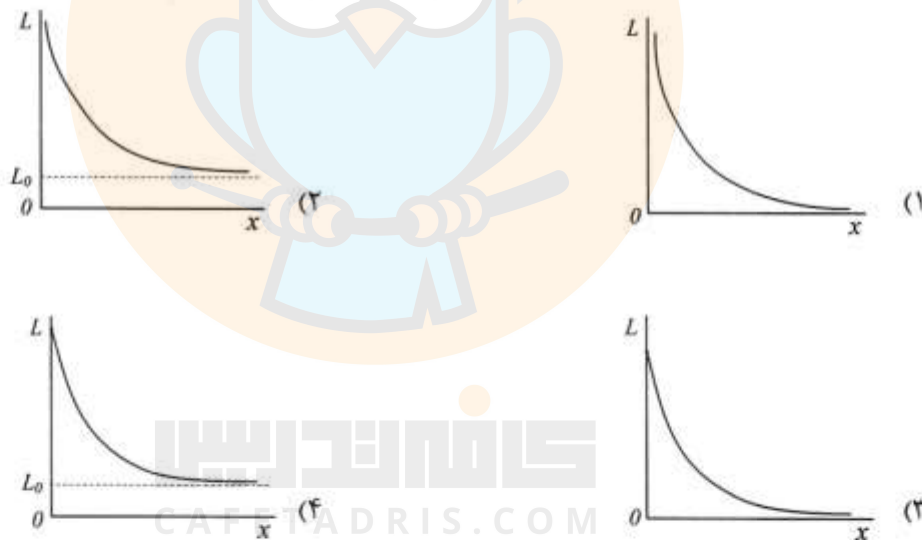
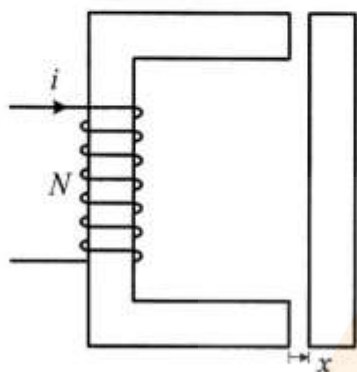
(۳)

CLK1:Load 1;Reset 2;  
 CLK2:Load 1;add;Load 2;  
 CLK3:Load 1;add;Load 2;  
 CLK4:Load 3;if(SB)sel = 0;sub;

(۴)

ماشین‌های الکتریکی (۲۰۱) و تحلیل سیستم‌های انرژی الکتریکی ۱:

۷۶- ضریب نفوذ نسبی (نفوذپذیری نسبی) هسته آهنی در مدار مغناطیسی شکل زیر ۵۰۰ فرض می‌شود و به دلیل زیاد بودن طول فاصله هوایی، نمی‌توان از نشت و پراکندگی فلو چشم‌پوشی کرد. کدام نمودار می‌تواند تقریب مناسب برای تغییرات اندوکتانس سیم‌پیچی  $N$  دوری بر حسب  $x$  باشد؟



۷۷- معادله زمانی جریان هر فاز روتور یک موتور القایی  $50 \text{ Hz}$  به صورت  $i(t) = \frac{20}{3} \sin(4\pi t + 30^\circ)$  است. در این شرایط، توان ورودی  $10 \text{ kW}$  بوده و تلفات مسی استاتور و هم‌چنین تلفات آهنی قابل چشم‌پوشی است. مقاومت هر فاز روتور چند اهم است؟

- (۱) ۳
- (۲) ۶
- (۳) ۹
- (۴) ۱۸

۷۸- یک موتور القایی سه فاز تحت لغزش ۵ درصد کار می کند. فرکانس روتور در این حالت  $f_r$  فرض می شود. اگر توالی فاز سیم پیچ استاتور به صورت سریع عوض شود، فرکانس جریان روتور بلافاصله پس از این تغییر کدام است؟

(۱)  $f_r$

(۲)  $20f_r$

(۳)  $39f_r$

(۴)  $41f_r$

۷۹- یک موتور القایی سه فاز  $380V$ ، چهار قطب با اتصال ستاره در بی باری ۳ آمپر و در بار کامل ۵ آمپر از شبکه می گیرد. از مقاومت سیم پیچ استاتور، راکتانس پراکندگی استاتور و روتور، تلفات هسته و تلفات چرخشی صرف نظر می شود. اگر در شرایط بار نامی مقدار لغزش ۵٪ باشد، توان خروجی موتور چند وات است؟

(۱) ۱۳۲

(۲) ۶۶۰

(۳) ۱۹۲۰

(۴) ۲۵۰۸

۸۰- یک ترانسفورماتور تک فاز از منبع ولتاژ  $1kV$  تغذیه می شود و جریان  $0.5A$  با توان  $55W$  را مصرف می کند. اگر ابعاد طولی ترانس (هر سه بُعد)  $\sqrt{2}$  برابر شوند و ترانس از یک منبع  $2kV$  تغذیه شود، مقادیر توان و جریان ورودی چقدر می شود؟ تعداد دور سیم پیچی و جنس هسته بدون تغییر باقی می ماند.

(۱)  $0.71A, 155.6W$

(۲)  $0.71A, 77.8W$

(۳)  $1A, 110W$

(۴)  $1A, 220W$

۸۱- یک ترانسفورماتور تک فاز ایدئال سه سیم پیچه مفروض است. سیم پیچ اولیه آن از یک شبکه  $200V$  تغذیه می شود. سیم پیچ دوم، بار  $5kVA$  با ضریب توان  $0.8$  پس فاز و سیم پیچ سوم، بار  $6kVA$  با ضریب توان واحد را تغذیه می کند. جریان کشیده شده از اولیه چند آمپر است؟

(۱)  $25 - j5$

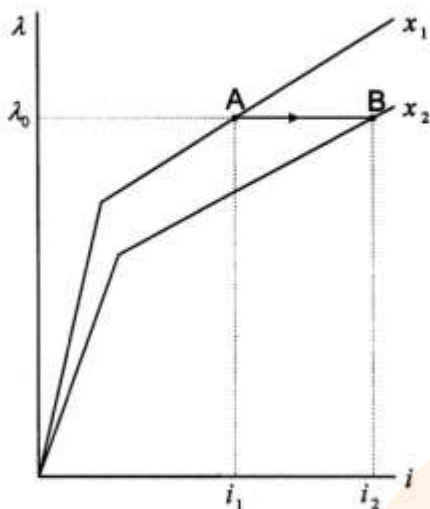
(۲)  $25 + j5$

(۳)  $50 - j15$

(۴)  $50 + j15$



۸۲- مشخصه  $\lambda(i)$  یک مبدل الکترومکانیکی یک تحریریه در دو مقدار مختلف تغییر مکان  $x$  داده شده است. مبدل در حالت A قرار دارد و روی مسیر نشان داده شده، از حالت A به حالت B می‌رود. در طول این تغییر حالت، کدام مورد صحیح است؟



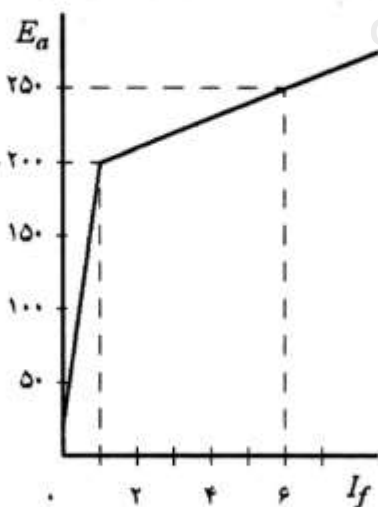
- (۱) انرژی الکتریکی ورودی صفر و انرژی مکانیکی خروجی مثبت است.
- (۲) انرژی الکتریکی ورودی صفر و انرژی مکانیکی خروجی منفی است.
- (۳) انرژی مکانیکی خروجی صفر و انرژی الکتریکی ورودی منفی است.
- (۴) انرژی مکانیکی خروجی صفر و انرژی الکتریکی ورودی مثبت است.

۸۳- معادله کوانترژی (شبه‌انرژی) یک مبدل الکترومکانیکی فرضی، در دستگاه SI به صورت  $W' = \frac{0.3i^3}{0.01-x}$  است.

تعداد دورهای سیم‌پیچی ۱۰۰۰ دور و نشت و پراکندگی فلو در فاصله هوایی قابل چشم‌پوشی است. فلو تولید شده در حالت  $x = 0.01$  و  $i = 0.6$ ، چند میلی‌وبر است؟

- (۱) ۳۶
- (۲) ۲۴
- (۳) ۱۸
- (۴) ۷/۲

۸۴- مشخصه بی‌باری یک ماشین dc در سرعت  $2000 \text{ rpm}$  داده شده است. ماشین به صورت یک موتور شنت از منبع  $100$  ولتی تغذیه می‌شود و با سرعت  $1000 \text{ rpm}$  می‌چرخد. اگر ولتاژ موتور به  $150$  ولت افزایش داده شود، سرعت موتور چند rpm می‌شود؟ موتور در هر دو حالت بی‌بار است و مقاومت میدان نیز تغییر نمی‌کند.



- (۱) ۱۵۰۰
- (۲) ۱۴۰۰
- (۳) ۱۵۳۷
- (۴) ۱۴۶۳

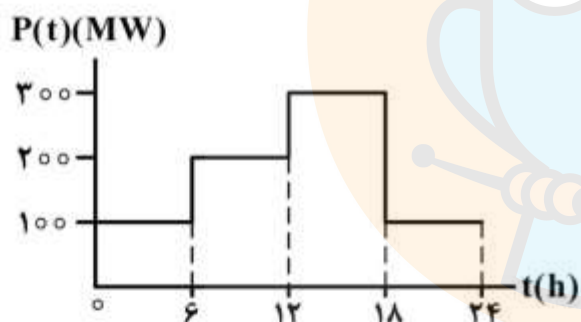
۸۵- یک موتور DC تحریک جداگانه، یک بار با توان ثابت را می چرخاند. ولتاژ تغذیه آرمیچر این موتور نصف می شود و جریان تحریک ثابت نگه داشته می شود. با چشم پوشی از کلیه تلفات موتور، سرعت و جریان آرمیچر چگونه تغییر می کنند؟

- (۱) سرعت نصف می شود، جریان آرمیچر ثابت می ماند.
- (۲) سرعت ثابت می ماند، جریان آرمیچر ثابت می ماند.
- (۳) سرعت نصف می شود، جریان آرمیچر دو برابر می شود.
- (۴) سرعت ثابت می ماند، جریان آرمیچر دو برابر می شود.

۸۶- در یک خط انتقال بلند، امپدانس مشخصه برابر واحد است ( $Z_c = 1$ ). در این خط، کدام رابطه بین عناصر ماتریس انتقال، برقرار است؟

- (۱)  $AB = C^2$
- (۲)  $BC = A^2$
- (۳)  $A^2 + B^2 = 1$
- (۴)  $A^2 - B^2 = 1$

۸۷- در یک شبکه، تغییرات بار به صورت زیر است. ضریب بار در این شبکه چند درصد است؟

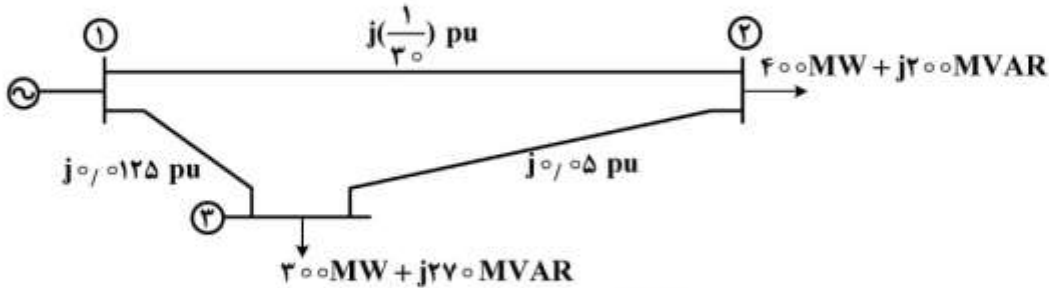


- (۱)  $38/3$
- (۲)  $48/3$
- (۳)  $58/3$
- (۴)  $68/3$

۸۸- جریان  $100A$  از یک هادی استوانه ای با طول بی نهایت عبور می کند. مقدار انرژی ذخیره شده در واحد طول از فاصله  $e$  تا  $e^2$  متری از مرکز آن، کدام است؟ (شعاع هادی خیلی کوچک تر از  $e$  متر است)

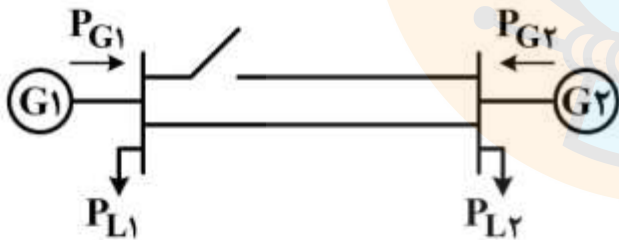
- (۱)  $10^{-3} j$
- (۲)  $2 \times 10^{-3} j$
- (۳)  $10^{-4} j$
- (۴)  $2 \times 10^{-4} j$

۸۹- نمودار تک خطی یک سیستم قدرت در شکل زیر نشان داده شده است. اگر ولتاژ شین (۱) برابر  $1 \text{ pu} \angle 0^\circ$  و  $S_{\text{base}} = 100 \text{ MVA}$  باشد، با استفاده از روش گوس - سایدل و حدس اولیه  $V_3^{(0)} = V_2^{(0)} = 1 \text{ pu} \angle 0^\circ$ ، مقدار  $V_2$  پس از یک تکرار کدام است؟



- (۱)  $0.96 - j0.06 \text{ pu}$
- (۲)  $0.96 - j0.08 \text{ pu}$
- (۳)  $1.04 - j0.06 \text{ pu}$
- (۴)  $1.04 - j0.08 \text{ pu}$

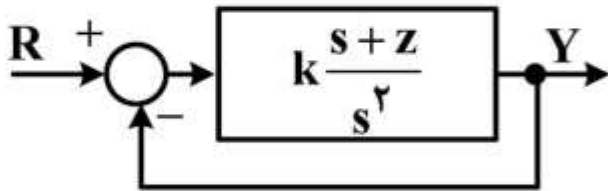
۹۰- در شبکه قدرت شکل زیر، وقتی یکی از خطوط بین دو ناحیه باز است، پخش اقتصادی توان منجر به  $\lambda_1 > \lambda_2$  می‌گردد و هیچ‌یک از دو نیروگاه نیز با محدودیت تولید مواجه نیست. چنانچه توان مصرفی بارها ثابت بوده و از تلفات شبکه چشم‌پوشی شود، با در مدار آمدن خط دوم، هزینه افزایشی و میزان تولید اقتصادی دو نیروگاه چه تغییری می‌کند؟



- (۱)  $\lambda_1$  و  $P_{G1}$  زیاد و  $\lambda_2$  و  $P_{G2}$  کمتر می‌شود.
- (۲)  $\lambda_1$  و  $P_{G1}$  کم و  $\lambda_2$  و  $P_{G2}$  بیشتر می‌شود.
- (۳)  $\lambda_1$  کمتر و  $P_{G1}$  بیشتر می‌شود.  $\lambda_2$  بیشتر و  $P_{G2}$  کمتر می‌شود.
- (۴) در مدار آمدن خط دوم، اثری بر پخش اقتصادی توان نیروگاه‌ها ندارد.

سیستم‌های کنترل خطی:

۹۱- اگر سیستم زیر دارای بیشترین فرکانس نوسانات میرا در پاسخ به ورودی پله باشد، زمان تقریبی قلّه  $(t_p)$ ، زمان تقریبی نشست با تولرانس دو درصد  $(t_s)$  و خطای مانا به ورودی شتاب  $(\frac{1}{p}t^2)$  کدام است؟



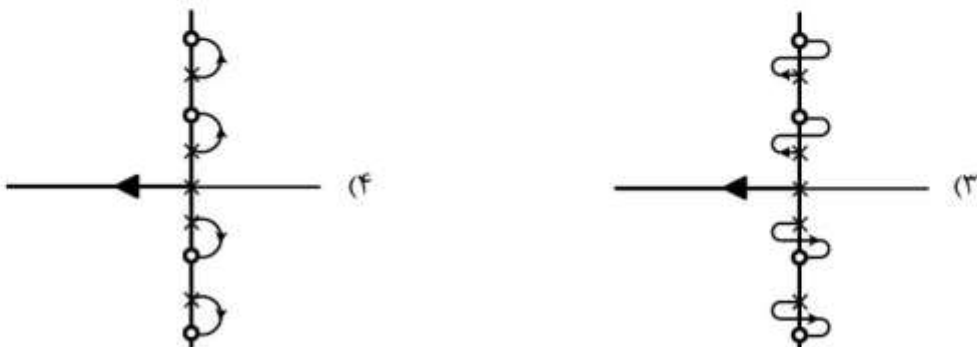
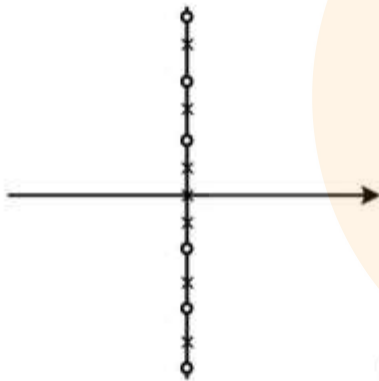
(۱)  $e_{\infty} = \frac{1}{2Z^2}, t_s = \frac{4}{Z}, t_p = \frac{\pi}{Z}$

(۲)  $e_{\infty} = \frac{1}{Z^2\sqrt{2}}, t_s = \frac{4}{Z}, t_p = \frac{\pi}{Z}$

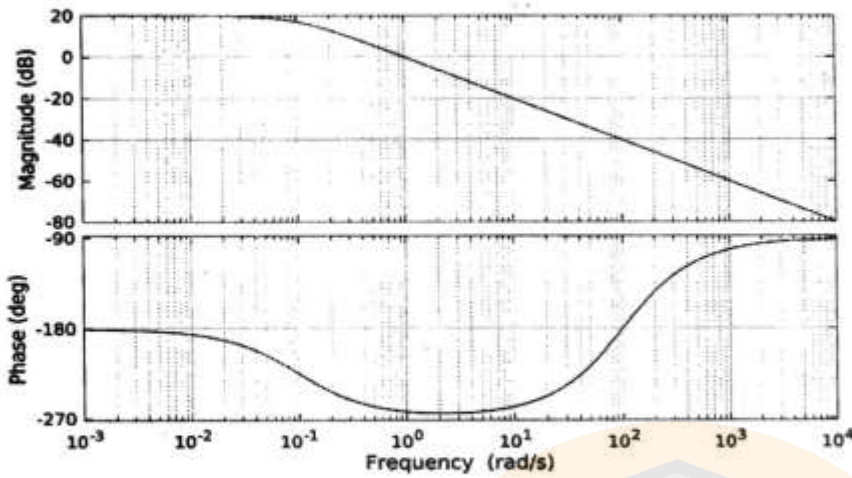
(۳)  $e_{\infty} = \frac{1}{Z^2\sqrt{2}}, t_s = \frac{2}{Z}, t_p = \frac{\pi}{Z\sqrt{2}}$

(۴)  $e_{\infty} = \frac{1}{2Z^2}, t_s = \frac{2}{Z}, t_p = \frac{\pi}{Z\sqrt{2}}$

۹۲- دیاگرام قطب - صفر یک سیستم به شکل زیر داده شده است. مکان هندسی ریشه‌های سیستم به ازای فیدبک واحد منفی و  $k > 0$  کدام است؟



۹۳- کدام پاسخ دارای دیاگرام بود نشان داده شده در شکل زیر است؟



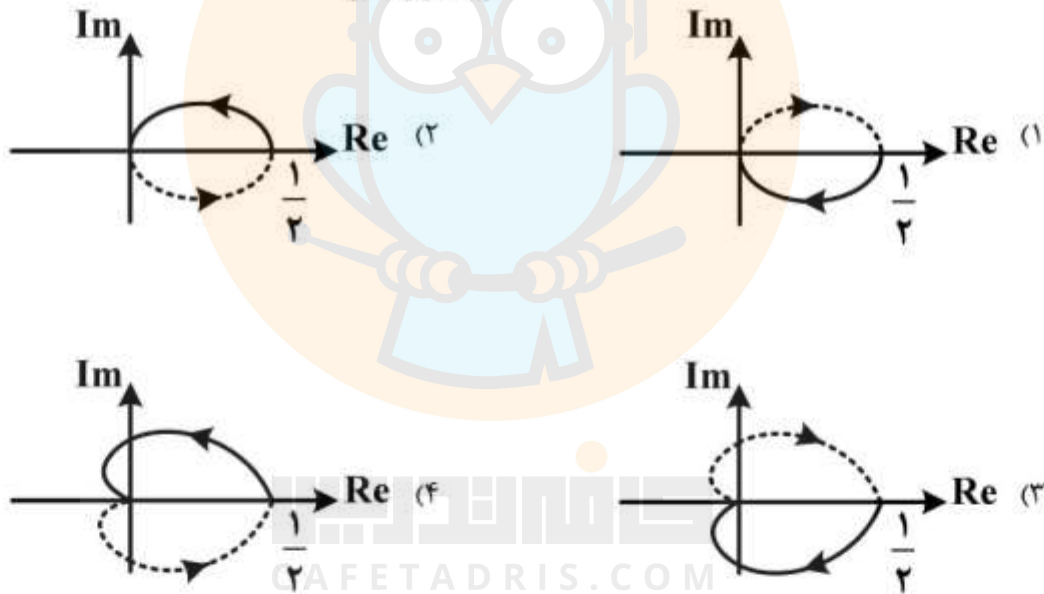
$$G(s) = \frac{10}{0.1 - s} \quad (1)$$

$$G(s) = -0.1 \frac{(s+10)}{(s+0.1)^2} \quad (2)$$

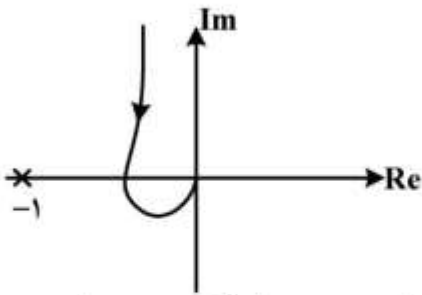
$$G(s) = \frac{s+100}{(s+0.1)(s-100)} \quad (3)$$

$$G(s) = \frac{s-100}{(s+0.1)(s+100)} \quad (4)$$

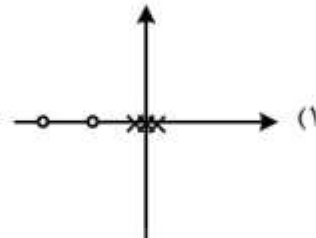
۹۴- دیاگرام نایکوئیست تابع تبدیل روبه‌رو کدام است؟  $G(s) = \frac{-(s+1)}{(s-1)(s+2)}$



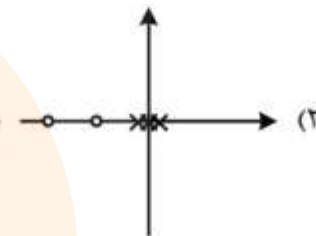
۹۵- با این فرض که بهره سیستم مثبت است، کدام توپولوژی برای نمودار قطبی زیر صحیح است؟



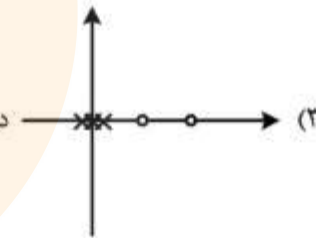
(۱) دیاگرام کامل نایکوئیست نقطه  $(-1, 0)$  را دوبار در جهت ساعتگرد دور زده است.



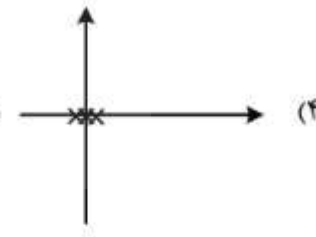
(۲) دیاگرام کامل نایکوئیست نقطه  $(-1, 0)$  را دوبار در جهت پادساعتگرد دور زده است.



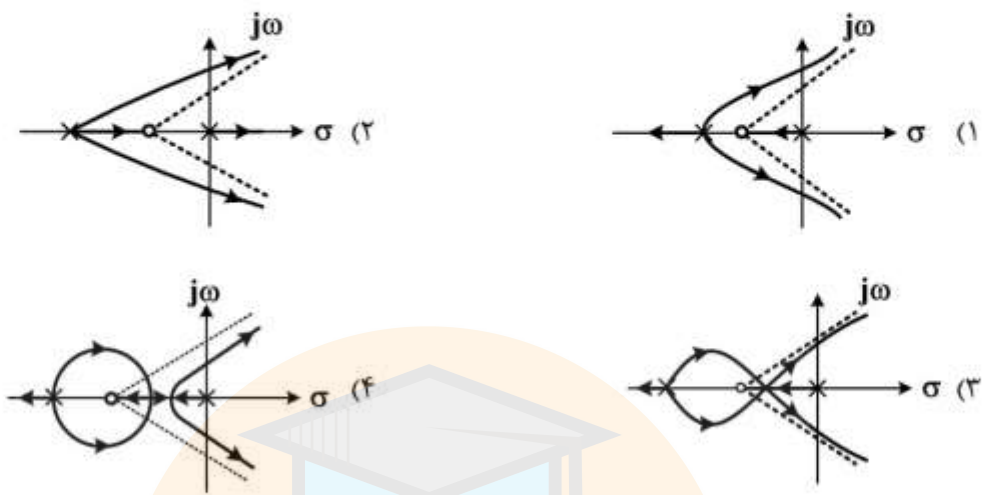
(۳) دیاگرام کامل نایکوئیست نقطه  $(-1, 0)$  را دوبار در جهت پادساعتگرد دور زده است.



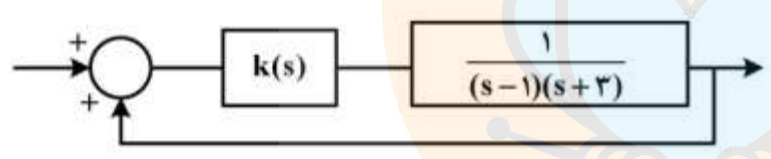
(۴) دیاگرام کامل نایکوئیست نقطه  $(-1, 0)$  را دور نمی‌زند.



۹۶- نمودار مکان هندسی ریشه‌ها برای سیستم  $G(s) = k \frac{s+\lambda}{s(s+\frac{F}{3}\lambda)^3}$  با  $\lambda > 0$  و فیدبک واحد منفی به ازای  $k > 0$  کدام است؟

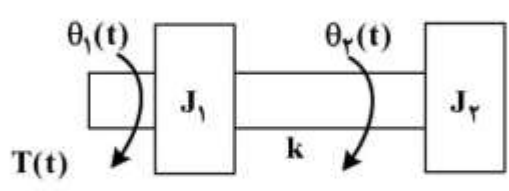


۹۷- چگونه انتخاب شود تا سیستم پایدار گردد؟



- (۱)  $k > 0$  ,  $k(s) = k \frac{s-1}{s+2}$
- (۲)  $k < 0$  ,  $k(s) = k \frac{s+3}{s+1}$
- (۳)  $k > 0$  برای برخی مقادیر  $k(s) = k \frac{s+5}{s+4}$
- (۴)  $k(s) = -5$

۹۸- سیستم زیر دیاگرام شماتیک یک موتور با ممان اینرسی  $J_1$  را نشان می‌دهد که توسط گشتاور  $T(t)$  تحریک می‌شود و از طریق فنر پیچشی  $k$ ، بازوی مکانیکی با ممان اینرسی  $J_2$  را به حرکت درمی‌آورد. تابع تبدیل



CAFETADRIS.COM

کدام است  $\frac{\theta_2(s)}{T(s)}$ ؟

- (۱)  $\frac{k}{J_1 J_2 s^2 + k(J_1 + J_2) s^2}$
- (۲)  $\frac{k}{J_1 J_2 s^2 + k(J_1 + J_2) s^2 + 2k}$
- (۳)  $\frac{J_1 s^2 + k}{J_1 J_2 s^2 + k(J_1 + J_2) s^2}$
- (۴)  $\frac{J_2 s^2 + k}{J_1 J_2 s^2 + k(J_1 + J_2) s^2}$

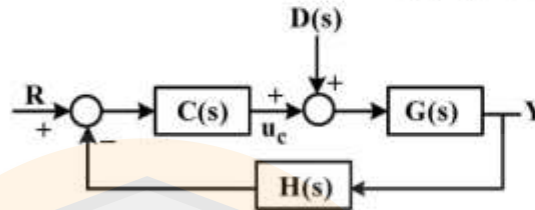
۹۹- کدام گزینه نادرست است؟

- (۱) مکان هندسی ریشه‌های یک سیستم با فیدبک منفی و بهره مثبت، پیوسته است.
- (۲) وجود یک سیستم ناپایدار در حلقه، نشان‌دهنده ناپایداری داخلی سیستم حلقه بسته است.
- (۳) با تغییر محل قرار گرفتن جبران‌ساز می‌توان تأثیر صفرهای جبران‌ساز بر روی بالازدگی پاسخ پله را از بین برد.
- (۴) جبران‌ساز پیش‌فاز (Lead) تا حدی توانایی برقراری هم‌زمان مشخصات خطای حالت دائم و پایداری نسبی را دارد.

۱۰۰- سیستم زیر را در نظر بگیرید:

$$G(s) = \frac{(s-1)p(s)}{q(s)}$$

$$H(s) = 1$$



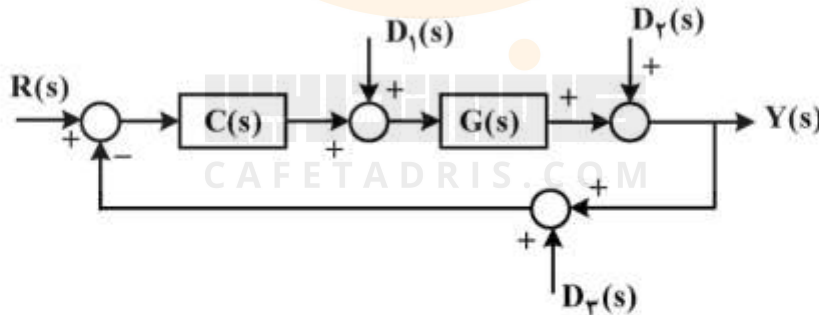
تابع تبدیل مکمل حساسیت ( $S_H^T$ ) چنین داده شده است.

$$S_H^T = \frac{B(s)}{A(s)}$$

می‌دانیم ریشه‌های  $p(s)$ ،  $q(s)$ ،  $A(s)$  و  $B(s)$  اکیداً در نیم‌صفحه چپ قرار دارند، کدام عبارت درست است؟

- (۱) سیگنال‌های  $u_c$  و  $Y$  هر دو بی‌کران هستند.
- (۲) سیگنال‌های  $u_c$  و  $Y$  هر دو کران دارند.
- (۳) سیگنال  $u_c$  کران دار و سیگنال  $Y$  بی‌کران است.
- (۴) سیگنال  $u_c$  بی‌کران و سیگنال  $Y$  کران دار است.

۱۰۱- سیستم فیدبک زیر را در نظر بگیرید:

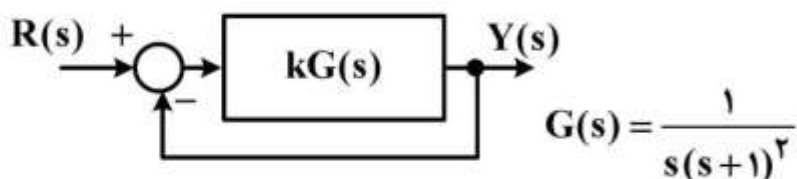


مقابله با کدام سیگنال ناخواسته دشوارتر است؟

- (۱)  $D_1(s)$
- (۲)  $D_2(s)$
- (۳)  $D_3(s)$
- (۴) مقابله با  $D_2(s)$  و  $D_3(s)$  دشواری یکسانی دارد.



۱۰۲- سیستم زیر را در نظر بگیرید. پاسخ فرکانسی  $G(s)$  در جدول ۱ داده شده است. کدام جبران‌ساز قادر به تأمین مشخصات مطلوب روبه‌رو است؟ حد فاز  $50^\circ$  درجه و ثابت خطای سرعت  $k_v = 10$



راهنمایی: اگر  $\alpha$  نسبت قطب به صفر جبران‌ساز Lead یا Lag باشد، روابط زیر داده می‌شود که  $\phi_m$  فاز ماکزیمم است.

$\alpha$	$\log \alpha$	$\phi_m$ (deg)
۲	۰٫۳	۱۹٫۵
۷٫۵	۰٫۸۷۵	۵۰
۱۰	۱	۵۵
۱۴	۱٫۱۴	۶۰
۱۶	۱٫۲	۶۲

$x_1$	$x_2$	$\sqrt{x_1 x_2}$
۰٫۰۳	۰٫۰۰۳	۰٫۰۱
۰٫۳	۳	۱
۱	۳	۱٫۷
۱٫۵	۱۱٫۲۵	۴٫۱

جدول ۱

$\omega$ (rad/s)	Mag (dB)	Phase (deg)
0.0100	39.9991	-91.1459
0.2154	12.9392	-114.3163
0.3290	8.7623	-126.4260
0.4520	5.2816	-138.6493
0.6210	1.3048	-153.6820
0.8532	-3.3710	-170.9395
1.0000	-6.0206	-180.0000
1.1721	-8.8883	-189.0605
1.6103	-15.2469	-206.3180
2.0000	-20.0000	-216.8699
3.0392	-29.8584	-233.5740
4.1753	-37.7258	-243.0624
5.7362	-45.7773	-250.2217
10.8264	-62.1428	-259.4455
52.9832	-103.4514	-267.8375
72.7895	-111.7258	-268.4258
100.0000	-120.0009	-268.8541

$$C(s) = \frac{100}{16} \frac{s+0.1}{s+\frac{0.1}{16}} \frac{s+0.3}{s+3} \quad (۲)$$

$$C(s) = 562 \frac{(s+1.5)^2}{(s+11.25)^2} \quad (۱)$$

$$C(s) = 75 \frac{s+1.5}{s+11.25} \quad (۴)$$

$$C(s) = 0.1 \frac{s+0.03}{s+0.003} \quad (۳)$$

سیگنال‌ها و سیستم‌ها:

۱۰۳- تبدیل لاپلاس یک سیستم LTI علی به صورت  $H(s) = \frac{k(s-1)}{s^2 + 3s + 2}$  مفروض است. با فرض  $\int_{-\infty}^{\infty} h(t)dt = -\frac{1}{2}$

حاصل عبارت زیر کدام است؟

$$\int_{-\infty}^{\infty} \frac{dh(t)}{dt} e^{rt} dt$$

(۱) ۰

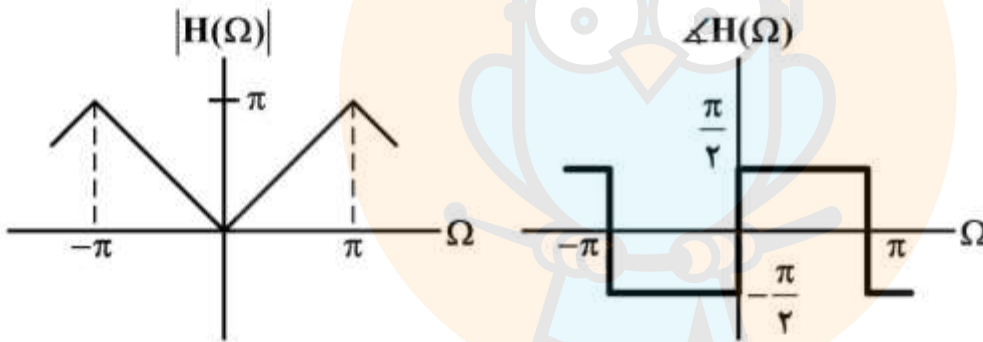
(۲)  $\frac{3}{10}$

(۳) ۶

(۴) بی‌نهایت

۱۰۴- پاسخ فرکانسی یک سیستم زمان گسسته به صورت زیر داده شده است. خروجی این سیستم به ازای

$$x[n] = \cos[\Omega_0 n + \theta]; \quad -\pi \leq \Omega_0 \leq \pi$$



$$y[n] = -\sin[\Omega_0 n + \theta] \quad (۱)$$

$$y[n] = \Omega_0 \cos[\Omega_0 n + \theta] \quad (۲)$$

$$y[n] = -|\Omega_0| \sin[\Omega_0 n + \theta] \quad (۳)$$

$$y[n] = -\Omega_0 \sin[\Omega_0 n + \theta] \quad (۴)$$

۱۰۵- دو سیستم LTI با رابطه ورودی - خروجی به صورت زیر را در نظر بگیرید:

$$\text{سیستم ۱: } y_1[n] = \frac{x[n] + x[n-1]}{2}$$

$$\text{سیستم ۲: } y_2[n] = \frac{x[n] - x[n-1]}{2}$$

در مورد این دو سیستم، گزینه صحیح کدام است؟

(۱) هر دو سیستم، فیلتر بالاگذر هستند.

(۲) هر دو سیستم، فیلتر پایین‌گذر هستند.

(۳) سیستم ۱، یک فیلتر پایین‌گذر و سیستم ۲، یک فیلتر بالاگذر است.

(۴) سیستم ۱، یک فیلتر بالاگذر و سیستم ۲، یک فیلتر پایین‌گذر است.

۱۰۶- مقدار انتگرال زیر، کدام است؟

$$2\pi \int_{-\infty}^{\infty} \text{sinc}(4t) \text{sinc}(10t) \cos(6\pi t) dt$$

(۱) ۰

(۲)  $\frac{\pi}{2}$

(۳)  $\frac{\pi}{5}$

(۴)  $\frac{\pi}{10}$

۱۰۷- مقدار تابع زیر کدام است؟

$$I = \sum_{k=-\infty}^{\infty} \frac{\sin^2\left(\frac{k\pi}{2}\right)}{k^2}$$

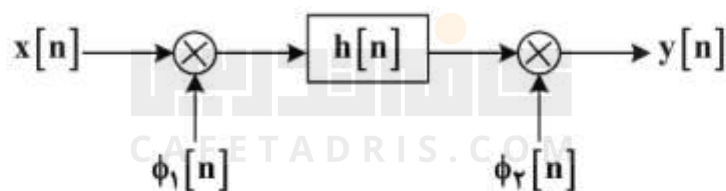
(۱)  $\frac{\pi^2}{8}$

(۲)  $\frac{\pi^2}{2}$

(۳)  $\frac{\pi}{2}$

(۴)  $\frac{1}{2}$

۱۰۸- سیستم کلی با ورودی  $x[n]$  و خروجی  $y[n]$  را به صورت شکل زیر در نظر بگیرید:



$h[n]$  پاسخ ضربه یک سیستم LTI زمان گسسته است. کدام گزینه در مورد این سیستم کلی صحیح است؟

(۱) این سیستم همواره خطی است ولی برای بعضی از توابع  $\phi_1[n]$  و  $\phi_2[n]$  می تواند تغییرپذیر با زمان باشد.

(۲) این سیستم همواره غیرخطی است ولی برای بعضی از توابع  $\phi_1[n]$  و  $\phi_2[n]$  می تواند تغییرپذیر با زمان باشد.

(۳) این سیستم همواره خطی و تغییرناپذیر با زمان است.

(۴) این سیستم همواره غیرخطی و تغییرناپذیر با زمان است.

۱۰۹- سیستم کلی با ورودی  $x[n]$  و خروجی  $y[n]$  به صورت شکل زیر را در نظر بگیرید؛ که در آن رابطه ورودی و خروجی هر سیستم به صورت زیر داده شده است:

$$\text{سیستم ۱: } y[n] = \begin{cases} x\left[\frac{n}{2}\right], & n \text{ is even} \\ 0, & n \text{ is odd} \end{cases}$$

$$\text{سیستم ۲: } y[n] = x[n] + \frac{1}{2}x[n-1] + \frac{1}{4}x[n-2]$$

$$\text{سیستم ۳: } y[n] = x[2n]$$

کدام گزینه رابطه ورودی - خروجی سیستم کلی را نشان می دهد؟



$$y[n] = \begin{cases} x[n] + \frac{1}{2}x[n-1] + \frac{1}{4}x[n-2], & n \text{ is even} \\ 0, & n \text{ is odd} \end{cases} \quad (1)$$

$$y[n] = \begin{cases} x[n] + \frac{1}{2}x[n-2] + \frac{1}{4}x[n-4], & n \text{ is even} \\ 0, & n \text{ is odd} \end{cases} \quad (2)$$

$$y[n] = x[n] + \frac{1}{2}x[n-1] \quad (3)$$

$$y[n] = x[n] + \frac{1}{2}x[n-1] + \frac{1}{4}x[n-2] \quad (4)$$

۱۱۰- سیستم زمان گسسته با ورودی  $x[n]$  و خروجی  $y[n]$  را در نظر بگیرید. رابطه بین تبدیل فوریه این دو سیگنال به صورت رابطه زیر داده شده است:

$$Y(\Omega) = 2X(\Omega) + e^{-j\Omega}X(\Omega) - \frac{dX(\Omega)}{d\Omega}$$

کدام گزینه در مورد این سیستم صحیح است؟

- (۲) خطی - تغییرناپذیر با زمان  
(۴) غیر خطی - تغییرناپذیر با زمان

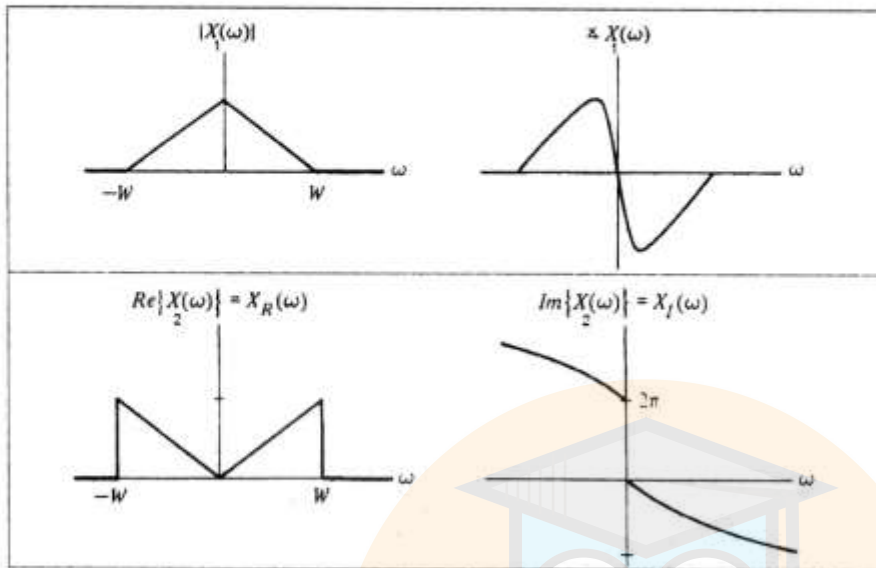
- (۱) خطی - تغییرپذیر با زمان  
(۳) غیر خطی - تغییرپذیر با زمان

۱۱۱-  $\delta(t^2 - 1)$  برابر کدام است؟

- (۲)  $\delta(t-1) - \delta(t+1)$   
(۴)  $\frac{1}{2}\delta(t-1) + \frac{1}{2}\delta(t+1)$

- (۱)  $\delta(t-1) + \delta(t+1)$   
(۳)  $\frac{1}{2}\delta(t-1) - \frac{1}{2}\delta(t+1)$

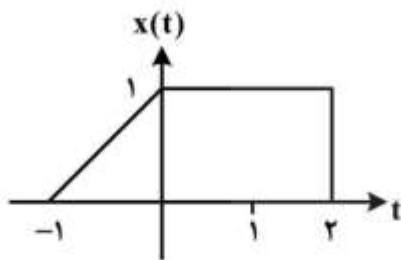
۱۱۲- اطلاعات تبدیل فوریه دو سیگنال  $x_1(t)$  و  $x_2(t)$  در شکل زیر داده شده است. کدام گزینه در مورد این دو سیگنال صحیح است؟



- (۱) سیگنال  $x_2(t)$  حقیقی است و سیگنال  $x_1(t)$  حقیقی نیست.
- (۲) سیگنال  $x_1(t)$  حقیقی است و سیگنال  $x_2(t)$  حقیقی نیست.
- (۳) هر دو سیگنال حقیقی است.
- (۴) هر دو سیگنال حقیقی نیست.

۱۱۳- برای سیگنال  $x(t)$  مقدار انتگرال روبه‌رو، کدام است؟

$$I = \int_{-\infty}^{\infty} X^*(j\omega) d\omega$$



- (۱)  $\pi$
- (۲)  $2\pi$
- (۳)  $\frac{1}{2}$
- (۴) ۱

۱۱۴- در یک سیستم LTI برای ورودی‌هایی که خارج از بازه  $0 \leq n \leq 5$  صفر هستند، پاسخ سیستم در خارج از بازه

$$x[n] = \begin{cases} 2^{|n|} & |n| \leq 3 \\ 0 & \text{سایر جاها} \end{cases}, \quad -1 \leq n \leq 5$$

همواره صفر است. اگر به ورودی  $y[0] = 4$  اعمال شود،

$y[3] = -16$  می‌شود. مقدار  $y[2]$  کدام است؟

- (۱) ۱۶
- (۲) ۴
- (۳) -۴
- (۴) -۸

الکترومغناطیس:

۱۱۵- دو حلقه دایره‌ای هم‌صفحه و هم‌مرکز بردار، یکی به شعاع  $a$  و بار الکتریکی خطی با چگالی  $\lambda_1$  و دیگری به شعاع  $2a$  و بار الکتریکی خطی با چگالی  $\lambda_2$ ، در مرکز، پتانسیل الکتریکی یکسان ایجاد می‌کنند. نسبت  $\frac{\lambda_2}{\lambda_1}$  کدام است؟

- (۱)  $\frac{1}{2}$
- (۲) ۲
- (۳)  $\frac{1}{4}$
- (۴) ۴

۱۱۶- بینهایت هادی خطی موازی در صفحه  $y = 0$  در  $x = n, n = 0, \pm 1, \pm 2, \pm 3, \dots$  قرار گرفته‌اند. هر کدام جریان  $I$  آمپر را در جهت  $\vec{a}_z$  از خود عبور می‌دهند. شدت میدان مغناطیسی  $\vec{H}$  در  $(0, 1, 0)$  کدام است؟

راهنمایی: 
$$\sum_{n=1}^{\infty} \frac{y}{y^2 + n^2} = \frac{\pi}{2} - \frac{1}{2y} + \frac{\pi}{e^{2\pi y} - 1}$$

$$H_x = -\frac{1}{2} + \frac{1}{e^{2\pi} - 1} \quad (2)$$

$$H_x = -\frac{1}{2} + \frac{1}{1 - e^{2\pi}} \quad (1)$$

$$H_x = \frac{1}{2} + \frac{1}{e^{2\pi} - 1} \quad (4)$$

$$H_x = \frac{1}{2} + \frac{1}{1 - e^{2\pi}} \quad (3)$$

۱۱۷- بردار مغناطش (Magnetization) در داخل کره‌ای به شعاع  $a$ ، یکنواخت و به صورت  $M_0 \hat{z}$  است. گشتاور مغناطیسی سهم جریان‌های مقید در ناحیه  $0 \leq \varphi \leq 360^\circ, 0 \leq \theta \leq 45^\circ$  و  $0 \leq r \leq a$  کدام است؟

$$\hat{z} \frac{\pi a^3 M_0}{24} (\sqrt{2} - 1) \quad (1)$$

$$\hat{z} \frac{\pi a^3 M_0}{24} (\sqrt{3} - \sqrt{2}) \quad (2)$$

$$\hat{z} \frac{\pi a^3 M_0}{24} (\sqrt{3} - 1) \quad (3)$$

$$\hat{z} \frac{\pi a^3 M_0}{24} (9\sqrt{3} - 10\sqrt{2}) \quad (4)$$



۱۱۸- یک دو قطبی با گشتاور  $\bar{P}_z$  در مرکز یک کره دی الکتریک با شعاع  $R$  و گذردهی الکتریکی  $\epsilon$  قرار گرفته است. اگر مرکز کره در مبدأ مختصات باشد، پتانسیل در  $r \geq R$  کدام است؟

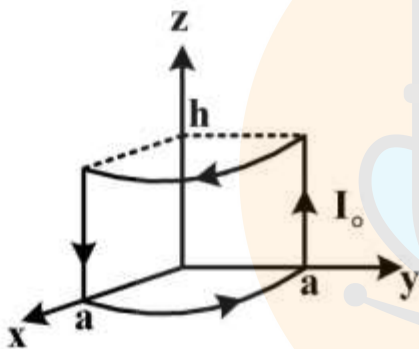
$$\phi = \frac{P_z \cos \theta}{4\pi\epsilon} \left[ \frac{1}{r^2} + \frac{r}{R^2} \times \frac{\epsilon - \epsilon_0}{\epsilon + \epsilon_0} \right] \quad (1)$$

$$\phi = \frac{P_z \cos \theta}{4\pi\epsilon} \left[ \frac{1}{r^2} + \frac{2r}{R^2} \times \frac{\epsilon - \epsilon_0}{\epsilon + 2\epsilon_0} \right] \quad (2)$$

$$\phi = \frac{P_z \cos \theta}{4\pi\epsilon} \left[ \frac{1}{2r^2} + \frac{r}{R^2} \times \frac{\epsilon - 2\epsilon_0}{\epsilon + \epsilon_0} \right] \quad (3)$$

$$\phi = \frac{P_z \cos \theta}{4\pi\epsilon} \left[ \frac{1}{2r^2} + \frac{2r}{R^2} \times \frac{\epsilon - \epsilon_0}{\epsilon + 2\epsilon_0} \right] \quad (4)$$

۱۱۹- شکل زیر، حلقه جریانی  $I_0$  را نشان می دهد. گشتاور دو قطبی این حلقه کدام است؟



$$\bar{m} = 0 \quad (1)$$

$$\bar{m} = \frac{\pi a^2}{2} I_0 \hat{a}_z \quad (2)$$

$$\bar{m} = -\frac{\pi a^2}{2} I_0 (\hat{a}_x - \hat{a}_y) \quad (3)$$

$$\bar{m} = ahI_0 (\hat{a}_x + \hat{a}_y) \quad (4)$$

۱۲۰- کره فلزی به شعاع  $a$  توسط یک کره فلزی دیگر و هم مرکز با آن به شعاع  $b$  ( $b > a$ ) احاطه شده است. فضای بین دو کره با ماده ای با رسانایی ویژه  $\sigma = mE$  پر شده است. اگر  $E$  اندازه شدت میدان الکتریکی بین دو کره و  $m$  ثابت باشد و اختلاف پتانسیل  $V_0$  بین دو کره اعمال شود، جریان حاصل بین دو کره به صورت تابعی از  $V_0$ ،  $m$  و ابعاد کره کدام است؟

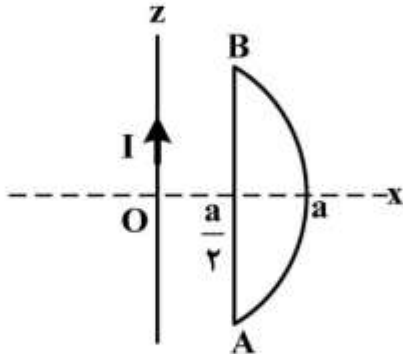
$$I = \frac{2\pi m V_0^2}{\left[ \ln\left(\frac{b}{a}\right) \right]^2} \quad (1)$$

$$I = \frac{2\pi m V_0}{\ln\left(\frac{b}{a}\right)} \quad (1)$$

$$I = \frac{4\pi m V_0}{\ln\left(\frac{b}{a}\right)} \quad (2)$$

$$I = \frac{4\pi m V_0^2}{\left[ \ln\left(\frac{b}{a}\right) \right]^2} \quad (3)$$

۱۲۱- اندوکتانس متقابل بین جریان I ثابت روی محور z و حلقه متشکل از بخشی از دایره  $x^2 + z^2 = a^2$  و پاره خط AB موازی محور z که از نقطه  $(x = \frac{a}{\sqrt{2}}, z = 0)$  می‌گذرد، کدام است؟



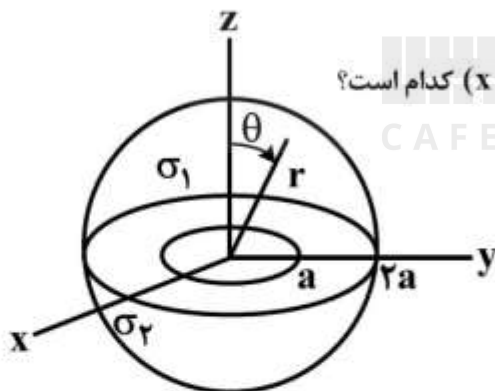
- (۱)  $\frac{a}{\pi} (\ln(\sqrt{2} + \sqrt{2}) - \frac{\sqrt{2}}{2})$
- (۲)  $\frac{a}{\pi} (\ln(\sqrt{2} + \sqrt{2}) + \frac{\sqrt{2}}{2})$
- (۳)  $\frac{a}{\pi} (\ln(\sqrt{2} - \sqrt{2}) - \frac{\sqrt{2}}{2})$
- (۴)  $\frac{a}{\pi} (\ln(\sqrt{2} - \sqrt{2}) + \frac{\sqrt{2}}{2})$

۱۲۲- ناحیه بین دو استوانه رسانای طویل هم‌محور به شعاع‌های a و b ( $a < b$ ) از عایق با گذردهی  $\epsilon = \frac{\epsilon_0}{r}$  پر شده است. خازن واحد طول آن چند برابر حالتی است که از عایق با گذردهی  $\epsilon_0$  پر شده باشد؟

- (۱)  $\frac{b-a}{\ln(\frac{b}{a})}$
- (۲)  $\frac{\pi(b-a)}{\ln(\frac{b}{a})}$
- (۳)  $\frac{b^2 - a^2}{\ln(\frac{b}{a})}$
- (۴)  $\frac{\ln(\frac{b}{a})}{\pi(b-a)}$

۱۲۳- ناحیه فضایی مابین دو پوسته کروی هم‌مرکز به شعاع‌های a و ۲a مطابق شکل زیر از دو ماده همگن با رسانایی ویژه

تشکیل شده است. اگر سطح  $R = 2a$  در پتانسیل صفر و سطح  $R = a$  در پتانسیل  $V_0$  باشد، چگالی جریان در نقطه  $(x = 0, y = a, z = a)$  کدام است؟

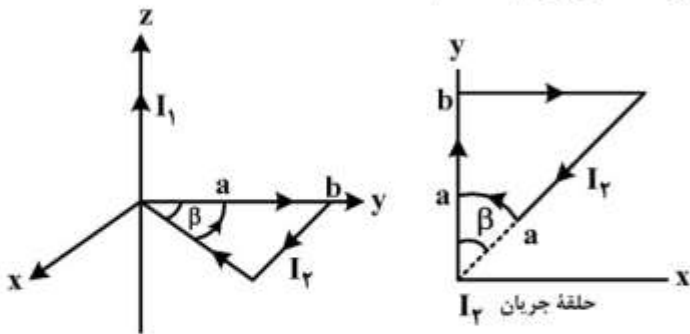


CAFETADRIS.COM

- (۱)  $\vec{J} = \frac{\sigma_1 V_0}{\sqrt{2}a} \hat{a}_r$
- (۲)  $\vec{J} = \frac{\sigma_1 \sigma_2}{(\sigma_1 + \sigma_2)} \frac{V_0}{a} \hat{a}_r$
- (۳)  $\vec{J} = \frac{\sigma_1 V_0}{\sqrt{2}a} (\hat{a}_y + \hat{a}_z)$
- (۴)  $\vec{J} = \frac{\sigma_1 \sigma_2}{(\sigma_1 + \sigma_2)} \frac{V_0}{\sqrt{2}a} (\hat{a}_y + \hat{a}_z)$



۱۲۴- سیم جریان با طول بی‌نهایت با جریان  $I_1$  منطبق بر محور  $z$ ها قرار دارد. حلقهٔ جریان در صفحهٔ  $xy$  با جریان  $I_2$  مطابق شکل زیر داده شده است. گشتاور وارد بر حلقهٔ جریان  $I_2$  کدام است؟



$$\bar{\tau} = \frac{\mu_0 I_1 I_2 a}{2\pi} [\cos\beta \hat{a}_x + \sin\beta \hat{a}_y] \quad (۱)$$

$$\bar{\tau} = \frac{\mu_0 I_1 I_2 a}{2\pi} [\cos\beta \hat{a}_x - \sin\beta \hat{a}_y] \quad (۲)$$

$$\bar{\tau} = \frac{\mu_0 I_1 I_2}{2\pi} [(a \cos\beta - \ln \cos\beta) \hat{a}_x + (b\beta - a \sin\beta) \hat{a}_y] \quad (۳)$$

$$\bar{\tau} = \frac{\mu_0 I_1 I_2}{2\pi} [(a \cos\beta - a - \ln \cos\beta) \hat{a}_x + (b\beta - a \sin\beta) \hat{a}_y] \quad (۴)$$

۱۲۵- یک کرهٔ دی‌الکتریک با گذردهی الکتریکی  $\epsilon$  در یک میدان الکتریکی یکنواخت  $\bar{E}_0$  قرار گرفته است. با فرض شدت میدان الکتریکی داخل کره به صورت:  $\bar{E} = \frac{\epsilon \epsilon_0}{\epsilon + 2\epsilon_0} \bar{E}_0$ ، کل گشتاور دوقطبی الکتریکی کدام است؟ (شعاع کرهٔ دی‌الکتریک  $R_0$  فرض شود).

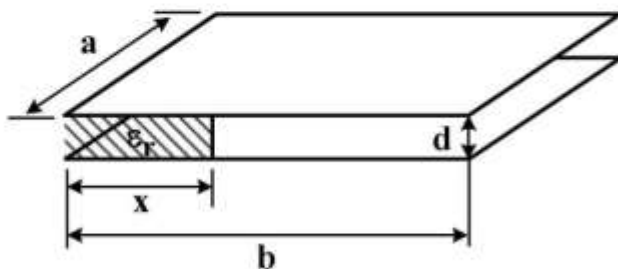
$$\bar{P}_t = \frac{4\pi \epsilon (\epsilon - \epsilon_0)}{\epsilon + 2\epsilon_0} R_0^3 \bar{E}_0 \quad (۲)$$

$$\bar{P}_t = \frac{4\pi \epsilon (\epsilon - \epsilon_0)}{\epsilon + 2\epsilon_0} R_0^3 \bar{E}_0 \quad (۱)$$

$$\bar{P}_t = \frac{4\pi \epsilon_0 (\epsilon - \epsilon_0)}{\epsilon + 2\epsilon_0} R_0^3 \bar{E}_0 \quad (۴)$$

$$\bar{P}_t = \frac{4\pi \epsilon_0 (\epsilon - \epsilon_0)}{\epsilon + 2\epsilon_0} R_0^3 \bar{E}_0 \quad (۳)$$

۱۲۶- خازن مسطحی از دو صفحهٔ هادی موازی به طول و عرض  $a$  و  $b$  مطابق شکل زیر ساخته شده است. فاصلهٔ دو صفحه  $d \ll a, b$  است. از اثر لبه‌ها صرف‌نظر می‌شود. تیغهٔ عایقی با گذردهی الکتریکی نسبی  $\epsilon_r$  مطابق شکل بین دو صفحه قرار گرفته است. اگر خازن را به ولتاژ  $V_0$  متصل کنیم و تیغهٔ عایق را به صورتی خارج کنیم که فقط به اندازهٔ  $x$  در درون خازن باقی بماند، نیروی وارد بر تیغه که آن را به داخل خازن می‌کشد، کدام است؟



$$\frac{\epsilon_0 (\epsilon_r - 1) a V_0^2}{4d} \quad (۱)$$

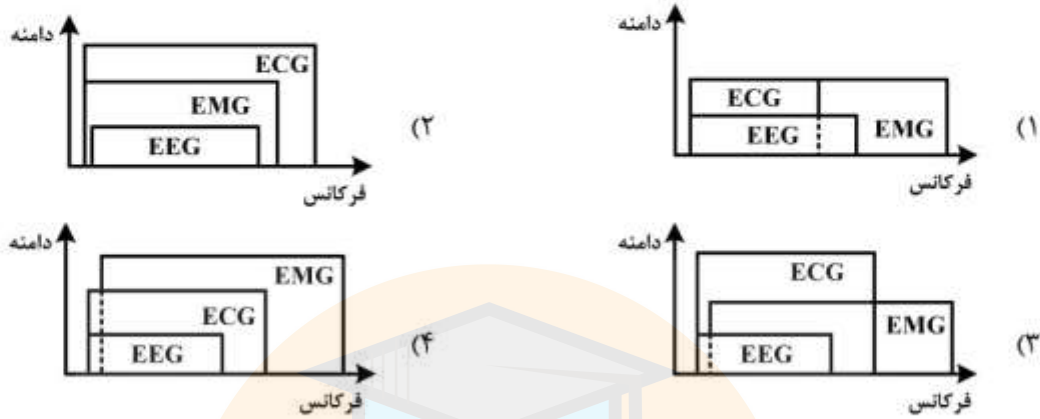
$$\frac{\epsilon_0 (\epsilon_r - 1) a V_0^2}{2d} \quad (۲)$$

$$\frac{\epsilon_0 (\epsilon_r - 1) b V_0^2}{4d} \quad (۳)$$

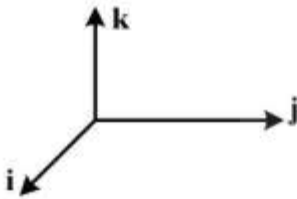
$$\frac{\epsilon_0 (\epsilon_r - 1) b V_0^2}{2d} \quad (۴)$$

مقدمه‌ای بر مهندسی پزشکی:

۱۲۷- کدام نمودار، محدوده دامنه و فرکانس سیگنال‌های حیاتی را به درستی نشان می‌دهد؟



۱۲۸- فرض کنید در لحظه‌ای از زمان، اندازه لیدهای قلبی I، II و III برابر یک میلی‌ولت است. کدام گزینه نشان‌دهنده مختصات لید  $aV_R$  در دستگاه زیر است؟



- (۱)  $-\frac{3}{4}\hat{j} + \frac{\sqrt{3}}{4}\hat{k}$
- (۲)  $\frac{3}{4}\hat{i} + \frac{\sqrt{3}}{4}\hat{k}$
- (۳)  $-\frac{\sqrt{3}}{4}\hat{j} + \frac{3}{4}\hat{k}$
- (۴)  $\frac{\sqrt{3}}{4}\hat{i} + \frac{3}{4}\hat{k}$

۱۲۹- به کدام علت، برای اندازه‌گیری غلظت گلوکز خون با روش طیف‌سنجی جذبی نوری از طول موج  $10.6$  نانومتر استفاده می‌شود؟

- (۱) این طول موج در محدوده مادون قرمز دور قرار دارد.
- (۲) میزان جذب گلوکز در این طول موج حداکثر است.
- (۳) میزان جذب گلوکز در این طول موج حداقل است.
- (۴) میزان جذب آب در این طول موج حداقل است.

۱۳۰- کدام مورد، از مشخصات کرنش‌سنج نوری نیست؟

- (۱) بازه عملکرد خطی مناسب
- (۲) عدم نیاز به جبران‌سازی حرارتی
- (۳) ایمنی در برابر میدان‌های الکتریکی
- (۴) ایمنی در برابر میدان‌های مغناطیسی

۱۳۱- فرض کنید غشای نوروئی فقط به یون  $R^{3+}$  نفوذپذیر است. غلظت خارجی  $[RCI_3] = 1mM$  و غلظت داخلی  $[RCI_3] = 2mM$  است. غلظت  $R^{3+}$  داخلی در حالت تعادل چند mM است؟

- (۱) ۲
- (۲) ۱/۲
- (۳) ۰/۶
- (۴) ۰/۳

۱۳۲- فردی دما را با استفاده از یک ترموکوپل اندازه می‌گیرد و فرض می‌کند که دمای ترموکوپل و ولتاژ آن به‌طور خطی با یکدیگر متناسبند. او ترموکوپل را در آب یخ، آب جوش و در دهانش قرار می‌دهد و به ترتیب ولتاژهای ۳/۱، ۷/۱ و ۴/۷ میلی‌ولت را قرائت می‌کند. دمای دهان فرد چند درجه سانتی‌گراد است؟

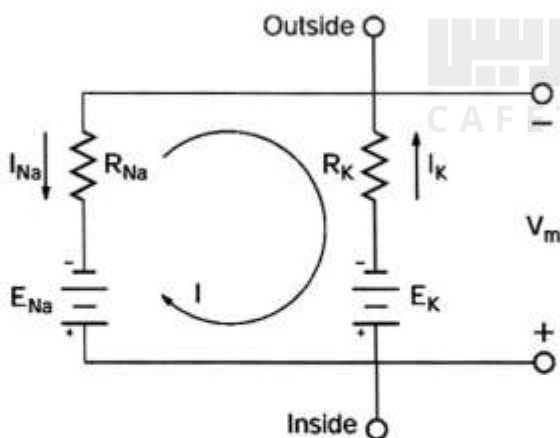
- (۱) ۲۷
- (۲) ۳۷
- (۳) ۳۹
- (۴) ۴۰

۱۳۳- در یک دستگاه ثبت سیگنال حیاتی، دو حالت مختلف برای فرد اتفاق افتاده است. در بار اول به دلیل استفاده از الکتروود زمین نامناسب، مقاومت بین فرد و زمین  $30 M\Omega$  بوده و در بار دوم که از الکتروود بهتر استفاده شده، این مقاومت به  $1k\Omega$  تغییر یافته است. اگر ولتاژ برق شهر  $240$  ولت و مقاومت بین سیم برق شهر و بدن فرد  $30 M\Omega$  باشد، در حالت اول و دوم مقدار ولتاژ القا شده توسط برق شهر بر روی بدن چقدر است؟

- (۱)  $14mV, 60V$
- (۲)  $120V, 8mV$
- (۳)  $240V, 8mV$
- (۴)  $240V, 16mV$

۱۳۴- مدار الکتریکی زیر، مدار معادل یک غشای سلولی است. با در نظر گرفتن اینکه این غشا صرفاً دارای کانال‌های سدیم و پتاسیم است، مقدار  $V_m$  کدام است؟

$R_K = 2k\Omega, R_{Na} = 12k\Omega, E_{Na} = 50mV, E_K = -100mV$

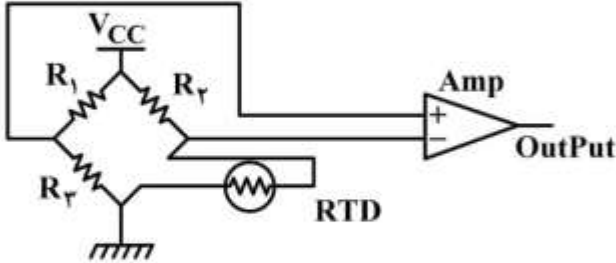


- (۱) -۸۰
- (۲) ۸۰
- (۳) -۱۸۰
- (۴) ۱۸۰

۱۳۵- در تحریک سلول‌های قلبی، سرعت حرکت تحریک‌ها از طریق گره AV، نسبت به سرعت انتشار تحریک‌ها در دهلیزها چگونه است؟

- (۱) سریع‌تر
- (۲) کمی کندتر
- (۳) بسیار کندتر
- (۴) تقریباً هم‌سرعت

۱۳۶- برای اندازه‌گیری دمای یک محفظه که در آن نمونه‌های آزمایش نگهداری می‌شود، از یک RTD مطابق شکل زیر استفاده شده است. فرض کنید مقادیر مقاومت‌های پل به نحوی انتخاب شده است که در دمای  $0^{\circ}\text{C}$  پل در حالت تعادل باشد. در اثر خود گرمایی ناشی از عبور جریان از RTD، تعادل پل به هم می‌خورد. برای رسیدن به تعادل مجدد کدام گزینه توصیه می‌شود؟



- (۱)  $R_3$  را افزایش دهیم.
- (۲)  $R_2$  را کاهش دهیم.
- (۳)  $R_4$  را کاهش دهیم.
- (۴) شرایط تعادل مجدد قابل دسترسی نیست.

۱۳۷- برای اندازه‌گیری فشارخون از یک استرین‌گیج با ضریب حساسیت  $GF = 2.02$  و مقاومت  $1000\ \Omega$  در یک پل‌وتستون با مقاومت‌های  $1000\ \Omega$  استفاده شده است. اگر به استرین‌گیج  $1450 \frac{\mu\text{m}}{\text{m}}$  تغییرات اعمال گردد، میزان تغییر مقاومت سنسور چند اهم است؟

- (۱)  $0.72$
- (۲)  $2.72$
- (۳)  $2.93$
- (۴)  $3.9$

۱۳۸- یک سنسور دما، حداکثر تا فرکانس  $9 \frac{\text{rad}}{\text{s}}$  را اندازه‌گیری می‌کند. این سنسور در حداکثر فرکانس، میزان خطای اندازه‌گیری دمایی برابر  $5\%$  دارد. ثابت زمانی سنسور دما چند ثانیه است؟

- (۱) ۳
- (۲)  $\frac{1}{3}$
- (۳) ۲۷
- (۴)  $\frac{1}{27}$

شماره سوال	گزینه صحیح	شماره سوال	گزینه صحیح	شماره سوال	گزینه صحیح	شماره سوال	گزینه صحیح	شماره سوال	گزینه صحیح
1	1	31	1	61	4	91	1	121	1
2	4	32	3	62	2	92	4	122	1
3	1	33	3	63	1	93	3	123	3
4	2	34	4	64	3	94	2	124	4
5	3	35	1	65	3	95	1	125	3
6	1	36	4	66	2	96	3	126	2
7	4	37	4	67	3	97	4	127	3
8	3	38	1	68	3	98	1	128	1
9	2	39	2	69	4	99	2	129	2
10	3	40	3	70	3	100	4	130	2
11	1	41	1	71	4	101	3	131	4
12	4	42	2	72	1	102	2	132	4
13	2	43	3	73	1	103	4	133	2
14	3	44	4	74	2	104	4	134	1
15	2	45	2	75	4	105	3	135	3
16	2	46	4	76	4	106	3	136	1
17	3	47	2	77	2	107	2	137	3
18	4	48	3	78	3	108	1	138	4
19	3	49	1	79	4	109	3	139	سفید
20	1	50	2	80	1	110	1	140	سفید
21	3	51	3	81	3	111	4	141	سفید
22	2	52	4	82	2	112	2	142	سفید
23	1	53	1	83	1	113	2	143	سفید
24	1	54	1	84	4	114	1	144	سفید
25	4	55	4	85	3	115	2	145	سفید
26	1	56	3	86	4	116	1	146	سفید
27	3	57	2	87	3	117	4	147	سفید
28	2	58	2	88	1	118	2	148	سفید
29	4	59	4	89	2	119	4	149	سفید
30	4	60	1	90	2	120	3	150	سفید